



TANGENTIAL FAN COIL UNITS

VTE



0,7 kW
4,7 kW

1,1 kW
5,6 kW

185 m³/h
870 m³/h





CONTROL PANEL

An integral part of the unit, located within a protected control compartment. Several options are available:

- **Standard** (built in - vertical with cabinet):
cooling/Off/Heating selector plus 3-speed switch
- **Optional:**
 - mechanical room thermostat (TA)
 - minimum water temperature thermostat (TC)
 - control panel complete with electronic thermostat (in lieu of standard).

The recessed type units are provided with a terminal strip for connection to the remote control. A wide range of wall-mounted controls is available.

STRUCTURE

Galvanized steel sheet (8/10 mm thick) insulated in all parts in direct contact with the conditioned air. Insulated condensate tray made of galvanised steel sheet, complete with drain plug for complete drainage. Sides with knock-outs for fast fixing of accessories. Wall-anchoring slots for easy fixing and levelling of the unit.

AIR FILTER

Filtering honeycomb polypropylene fabric enclosed within a metal frame to facilitate withdrawal and cleaning. Filtering rate of the standard model: EU1. Available with different filtering rate on request.

BLOWER SECTION

Tangential fans with statically and dynamically balanced horizontally-oriented aluminium impellers. Single-phase asynchronous electric motor with overload cutout. 6 speeds of rotation (3 connected). The motor is directly coupled to the fan and cushioned with flexible mountings to ensure low noise.

HEAT EXCHANGER

Coils are made of copper pipe expanded into aluminium fins in continuous block. Brass headers with female fittings (GAS threads) and easily accessible air vents. Water connections are located on the left side (when viewing the outlet). They may be supplied on the right on request.





DECORATIVE CABINET

Modern design that blends in with any environment. Made in hot-dip galvanized steel sheet pre-coated with PVC to ensure high resistance to rust, corrosion, chemical agents, aliphatic solvents and alcohols. Air grilles made of ABS and the control panel protective flap are inserted in the cabinet top. Standard colour: white. Other RAL colours are available on request.

A wide range of options and accessories is available for complete requirement satisfaction:

- **4 pipe systems (main plus auxiliary coil);**
- **Water flow and temperature control with the use of 3-way or 2-way valves, on/off valves and modulating valves;**
- **Electric heating coils;**
- **Outside air volume control with manual or motorised damper;**
- **Straight and 90° plenum (recessed units);**
- **Pre-coated galvanized steel or coated wooden panel with grilles (recessed units).**

VTE



VTExx0

Installation:
vertical with cabinet
Air intake:
bottom
Air supply:
vertical

Unit with air intake socle



VTExx8

Installation:
vertical with cabinet
Air intake:
frontal
Air supply:
vertical



VTExx6

Installation:
vertical with cabinet
Air intake:
bottom
Air supply:
horizontal

Unit with terminal board



VTExx9

Installation:
horizontal with cabinet
Air intake:
rear
Air supply:
horizontal

Unit with terminal board



VTExx1

Installation:
horizontal with cabinet
Air intake:
frontal
Air supply:
horizontal

Unit with terminal board
Unit with air intake socle



VTExx2

Installation:
vertical concealed

Air supply:
frontal

Unit with terminal board

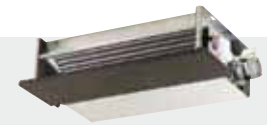


VTExx7

Installation:
vertical concealed

Air supply:
frontal

Unit with terminal board



VTExx3

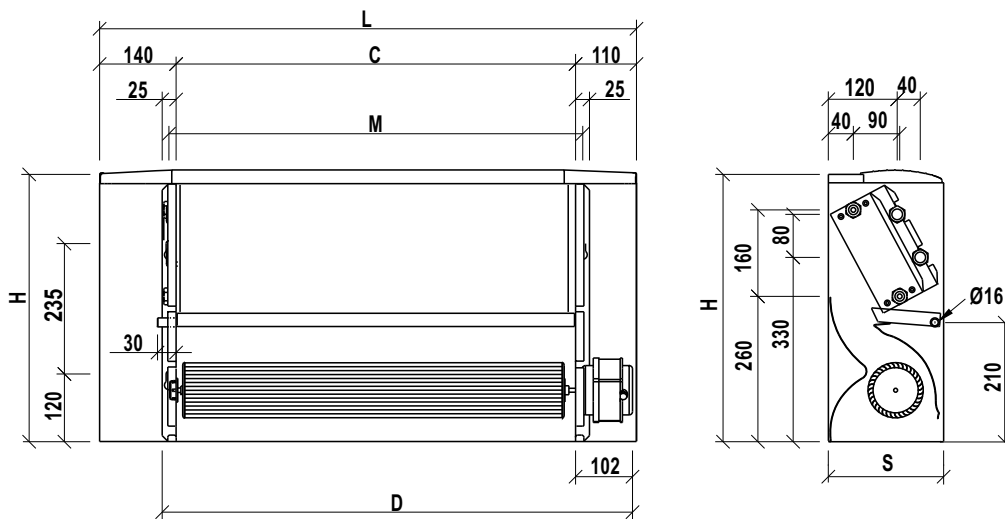
Installation:
horizontal concealed

Air supply:
horizontal

Unit with terminal board





			100	200	300	400	600	
Fans		n°	1	1	1	1	1	
Standard coil	Rows	n°	2	3	3	3	3	
	Fittings	Ø	1/2"	1/2"	1/2"	1/2"	1/2"	
Auxiliary coil	Rows	n°	1	1	1	1	1	
	Fittings	Ø	1/2"	1/2"	1/2"	1/2"	1/2"	
External dimensions	Height	H	mm	480	480	480	480	480
	Length	L	mm	760	760	960	1.160	1.360
	Depth	S	mm	200	200	200	200	200
		M	mm	540	540	740	940	1.140
		C	mm	510	510	710	910	1.110
		D	mm	637	637	837	1.037	1.237
Net weight		kg	15	16	21	26	30	

GENERAL DIMENSIONS



	100	200	300	400	600
--	-----	-----	-----	-----	-----

2 pipe system (3R coil)

	Total cooling capacity	W	max	870	1690	2530	2800	4770
		W	med	810	1470	2220	2470	4130
		W	min	740	1250	1890	2100	3470
	Sensible cooling capacity	W	max	770	1340	1990	2200	3620
		W	med	700	1140	1730	1930	3100
		W	min	620	980	1480	1610	2570
	Water flow	l/h	max	150	291	435	607	820
	Water pressure drop	kPa	max	2,3	8,1	7,4	13,2	30,8
	Heating capacity	W	max	1380	2080	3110	3800	5600
		W	med	1260	1800	2740	3340	4790
		W	min	1120	1570	2370	2820	3980
	Water flow	l/h	max	150	291	435	607	820
	Water pressure drop	kPa	max	2,3	8,1	7,4	13,2	30,8
	Heating capacity	W	max	2410	3830	6360	7490	10020
		W	med	2180	3330	5600	6580	8570
		W	min	1930	2890	4840	5550	7100
	Water flow	l/h	max	207	330	547	644	861
	Water pressure drop	kPa	max	3,8	8,7	8,3	14	31
	Air flow	m³/h	max	255	310	473	621	871
		m³/h	med	220	258	400	525	707
		m³/h	min	185	215	332	422	555
	Sound power level	db(A)	max	48	53	57	55	57
		db(A)	med	43	49	55	52	52
		db(A)	min	39	45	51	48	47
	Sound pressure level	db(A)	max	39	44	48	46	48
		db(A)	med	34	40	46	43	43
		db(A)	min	30	36	42	39	38
	Power input	W	max	30	30	50	50	60
	Absorbed current	A	max	0,13	0,2	0,28	0,25	0,29
	Water content	L	-	0,56	0,83	1,17	1,51	1,85

- **Standard unit with free outlet:** external static pressure = 0 Pa
- **Sound power level:** ISO 23741
- **Sound pressure level:** 8,6 dB(A) lower that the sound power level for a room of 90 m³ with a reverberation time of 0,5 sec.
- **Supported power supply:** ~230V±10% / 1ph / 50-60Hz



COOLING
Inlet water temp.: 7°C
Outlet water temp.: 12°C
Inlet air temp.: 27°C d.b. - 19°C w.b.



HEATING
Air temp.: 20°C
Inlet water temp.: 50°C



HEATING
Air temp.: 20°C
Inlet water temp.: 70/60°C

	100	200	300	400	600
--	-----	-----	-----	-----	-----

4 pipe system (3R+1R coil)

Total cooling capacity	W	max	920	1630	2400	3110	4230
	W	med	870	1400	2110	2750	3660
	W	min	800	1190	1780	2330	3070
Sensible cooling capacity	W	max	830	1290	1900	2360	3500
	W	med	750	1090	1650	2090	2990
	W	min	670	940	1390	1740	2470
Water flow	l/h	max	177	280	437	535	791
Water pressure drop	kPa	max	2,2	8,1	6,9	10,4	29,5
Heating capacity	W	max	1770	1930	3150	3550	4980
	W	med	1610	1730	2860	3210	4420
	W	min	1460	1550	2560	2820	3830
Water flow	l/h	max	172	166	271	305	428
Water pressure drop	kPa	max	5,3	7,8	23,8	37,8	57,6
Air flow	m ³ /h	max	242	295	449	590	828
	m ³ /h	med	209	245	380	498	673
	m ³ /h	min	176	204	315	400	528
Sound power level	dB(A)	max	50	54	58	54	57
	dB(A)	med	47	50	55	51	52
	dB(A)	min	43	46	51	48	47
Sound pressure level	dB(A)	max	41	45	49	45	48
	dB(A)	med	38	41	46	42	43
	dB(A)	min	34	37	42	39	38
Power input	W	max	30	30	56	60	60
Absorbed current	A	max	0,13	0,2	0,28	0,25	0,29
Water content (3R)	L	-	1	0,83	1,17	1,51	1,85
Water content (1R)	L	-	0	0,28	0,39	0,5	0,62

- **Standard unit with free outlet:** external static pressure = 0 Pa
- **Sound power level:** ISO 23741
- **Sound pressure level:** 8,6 dB(A) lower that the sound power level for a room of 90 m³ with a reverberation time of 0,5 sec.
- **Supported power supply:** ~230V±10% / 1ph / 50-60Hz



COOLING
 Inlet water temp.: 7°C
 Outlet water temp.: 12°C
 Inlet air temp.: 27°C d.b. - 19°C w.b.



HEATING
 Air temp.: 20°C
 Inlet water temp.: 50°C



HEATING
 Air temp.: 20°C
 Inlet water temp.: 70/60°C