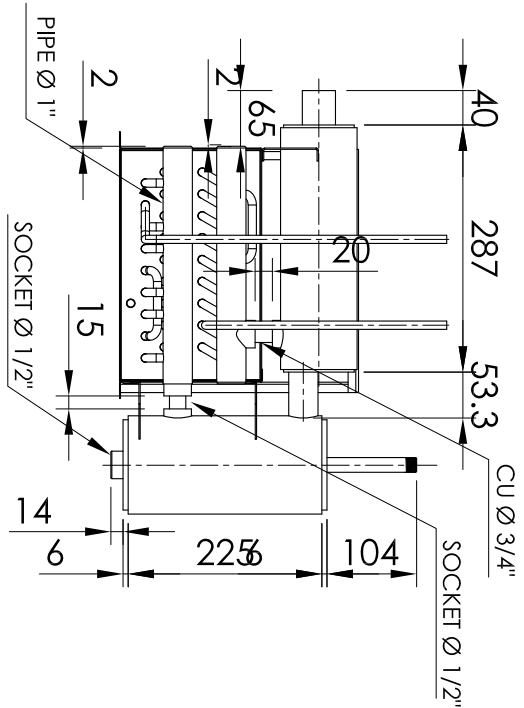
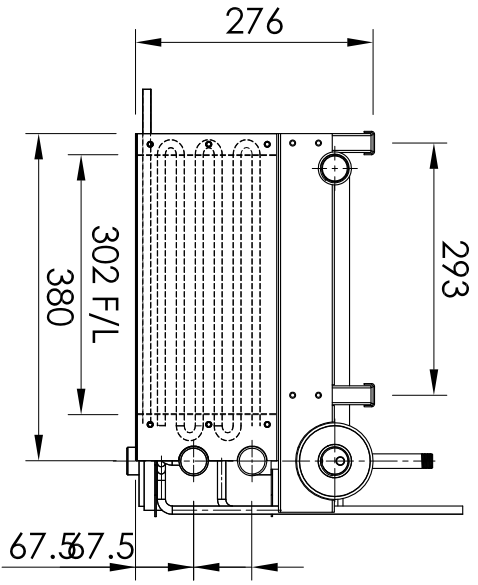
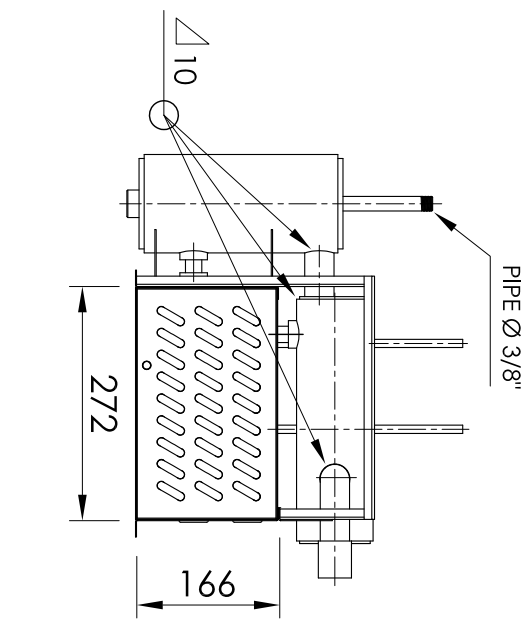
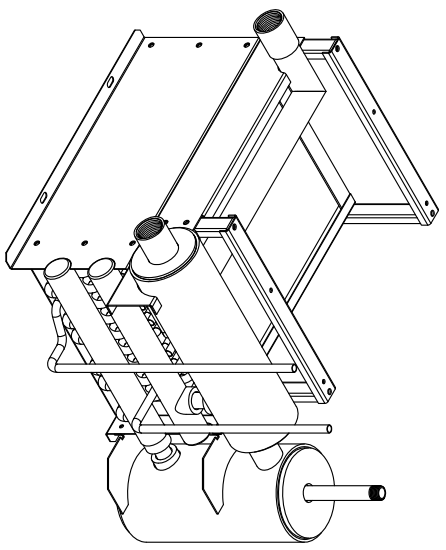
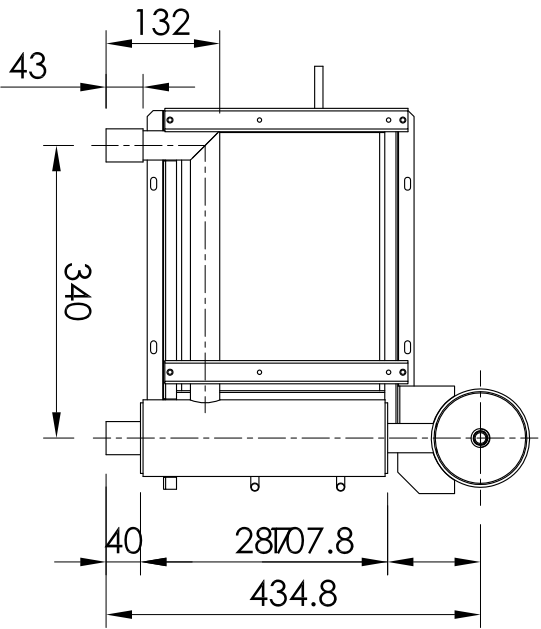
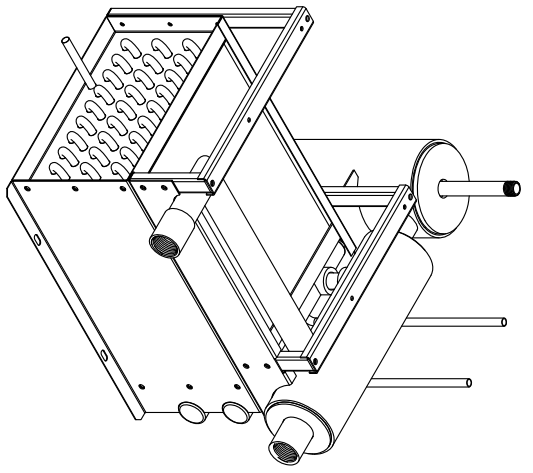


FM-RD - 10 REV.00 Effective Date 02 / 10 / 08



ZA du Caillou - 3, Rue Jules Verne
69630 CHAPONOST

TEL: 33-4-7856-7070
FAX: 33-4-7856-1731

GEN. TOL. 1) DIM. 0 - 600 ±0.5
2) DIM. 600 - 1500 ±1.0
3) DIM. 1500 UP ±2.0

THIRD-ANGLE PROJECTION
MATERIAL: -
PAINTING: -
DATE: JAN 17, 2013
QTY: 1 SET
SCALE: 1:10

TITLE / NAME: Unit: mm
DWG No: MA01-2-001
EVAP ASS'Y, MA01

PRIOR
C