



Schema Elettrico / Wiring Diagram / Schéma de câblage / Schaltplan

8E990056/001/A

Modello macchina / Machine model / Modèle de machine / Maschinen-Modell

EKE NewGen IS/ST/AS/EC/00 1404

Dati elettrici / Electrical data / Données électriques / Elektrische Daten:

Tensione esercizio / Main Voltage / Tension principale / Hauptspannung:	400V/3ph/50Hz
Tensione ausiliari / Auxiliary Voltage / Tension auxiliaire / Hilfsspannung:	230Vac-24Vac

Potenza max. assorbita / Max. total power input / Puissance absorbée totale max. / Max. gesamtleistung:	147,2 kW
Corrente max. assorbita / Max. absorbed current / Courant max. absorbé / Max. absorbierter strom	245,4 A
Corrente di spunto / Starting current / Courant de démarrage / Anlaufstrom:	402,4 A

Limiti operativi / Operating limits / Limites de fonctionnement / Betriebsgrenzen:

Range di tensione / Voltage range / Intervalle de tension / Spannungsbereich:	+/- 10%
Squilibrio tensione / Voltage unbalance / Déséquilibre de tension / Spannungsunsymmetrie:	+/- 2%
Range di frequenza / Frequency range / Intervalle de fréquence / Frequenzbereich:	+/- 1%

REV A	Descrizione revisione / Revision description EMISSIONE			Model: EKE NewGen IS/ST/AS/EC/00 1404	This drawing is a property of Euroklimat S.p.A. and we reserve the copyright to all our designs which cannot be reproduced, transmitted, disclosed to third parties or utilized in any form without first obtaining our written consent. Contravention will be prosecuted. This drawing is subject to modification time to time to suit construction purpose.	SECTION 01
	18/02/2025	Drafter MU	Checked AV			
				DRAFT.: MU	DATE: 18/02/2025	

Simbol	Description
	INTERRUTTORE PRINCIPALE MAIN SWITCH INTERRUPTEUR PRINCIPAL HAUPTSCHALTER
	FUSIBILI FUSES FUSIBLES SICHERUNGEN
	TELERUTTORE CONTACTOR CONTACTEUR KONTAKTOR
	MOTORE TRIFASE THREE-PHASE MOTOR MOTEUR TRIPHASE DREIPHASIGER MOTOR
	INTERRUTTORE MAGNETOTERMICO SWITCH MAGNETERMIC COMMUTATEUR MAGNETERMIC SCHALTER MAGNETERMIK
	PROTEZIONE TERMICA THERMAL PROTECTION PROTECTION THERMIQUE WÄRMESCHUTZ
	RELE SEQUENZA FASI SEQUENCE PHASE RELAY RELAIS DE PHASE DE SEQUENCE SEQUENZPHASENRELAIS
	PROTEZIONE TERMICA AVVOLGIMENTI (VENTILATORE) WINDING TEMPERATURE PROTECTION (FAN) PROTECTION DE LA TEMPERATURE DE REMONTAGE (VENTILATEUR) WICKLUNGSTEMPERATURSCHUTZ (LÜFTER)
	RESISTENZA RESISTANCE RESISTANCE WIDERSTAND

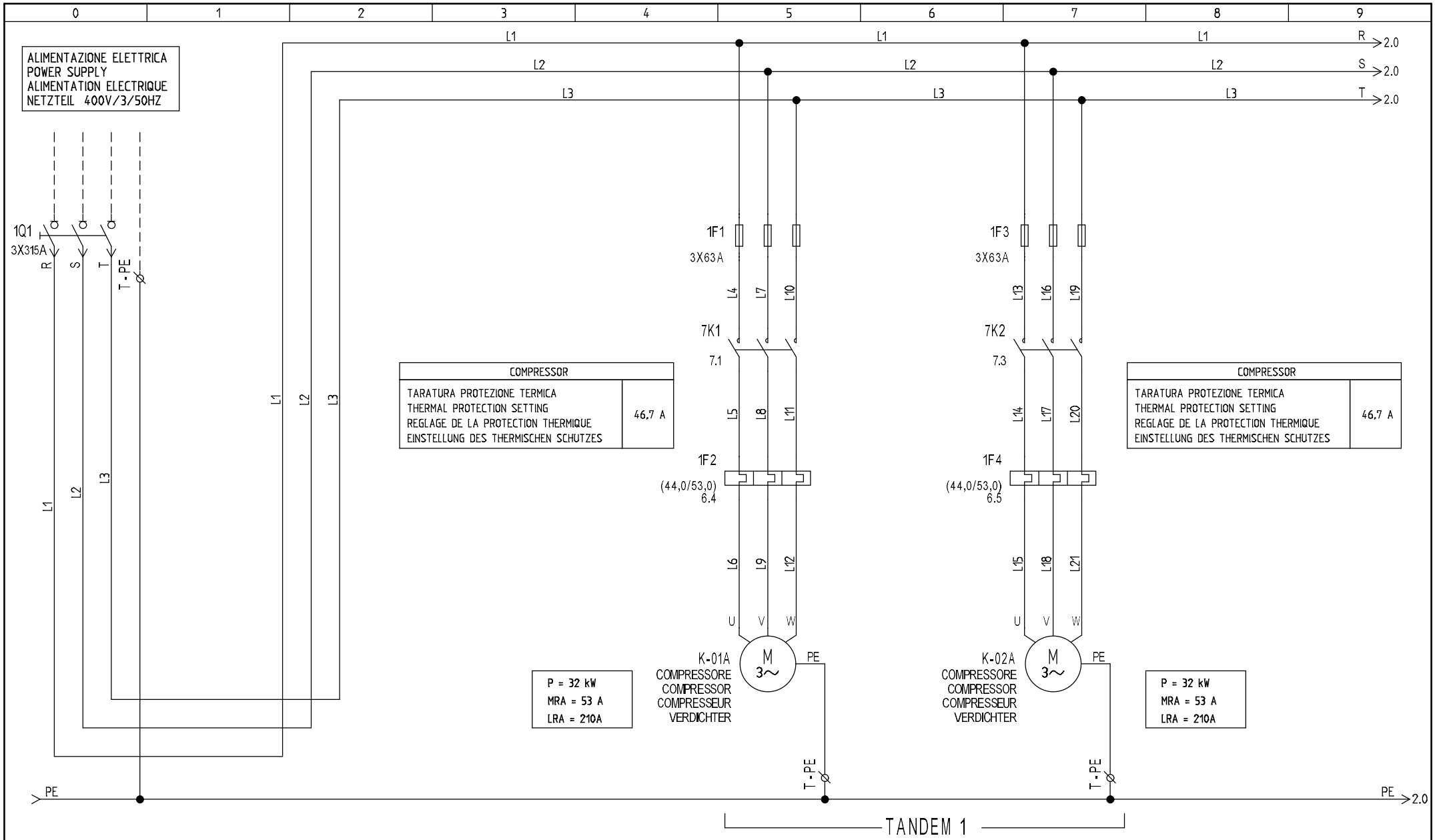
Simbol	Description
	RELE AUSILIARIO AUXILIARY RELAY RELAIS AUXILIAIRE HILFSRELAIS
	VALVOLA SOLENOIDE SOLENOID VALVE ELECTROVANNE MAGNETVENTIL
	PRESSOSTATO PRESSURE SWITCH INTERRUPTEUR DE PRESSION DRUCKSCHALTER
	SELETORE 0-1 0-1 SELECTOR SELECTEUR 0-1 0-1 AUSWAHL
	TRASFORMATORE AUSILIARI AUXILIARY TRANSFORMER TRANSFORMATEUR AUXILIAIRE ZUSATZTRANSFORMATOR
	SONDA NTC NTC PROBE SONDE NTC NTC PROBE
	PRESSOSTATO DIFFERENZIALE DIFFERENTIAL PRESSURE SWITCH INTERRUPTEUR DE PRESSION DIFFERENTIELLE DIFFERENZDRUCKSCHALTER
	INTERRUTTORE CONTATTI AUSILIARI CIRCUIT BREAKER AUXILIARY CONTACT CONTACT AUXILIAIRE DISJONCTEUR CIRCUIT BREAKER ZUSATZKONTAKT

REV A	Modification EMISSIONE
18/02/2025	Drafter MU Approved AV

Model: EKE NewGen IS/ST/AS/EC/00 1404
Drawing no.: 8E990056/001/A

This drawing is a property of Euroklimat S.p.A. and we reserve the copyright to all our designs which cannot be reproduced, transmitted, disclosed to third parties or utilized in any form without first obtaining our written consent. Contravention will be prosecuted.
This drawing is subject to modification time to time to suit construction purpose.

File name: 8E990056-001-A
DRAFT.: MU DATE: 18/02/2025



REV A	Modification EMISSIONE
18/02/2025	Drafter MU Approved AV

Model: EKE NewGen IS/ST/AS/EC/00 1404

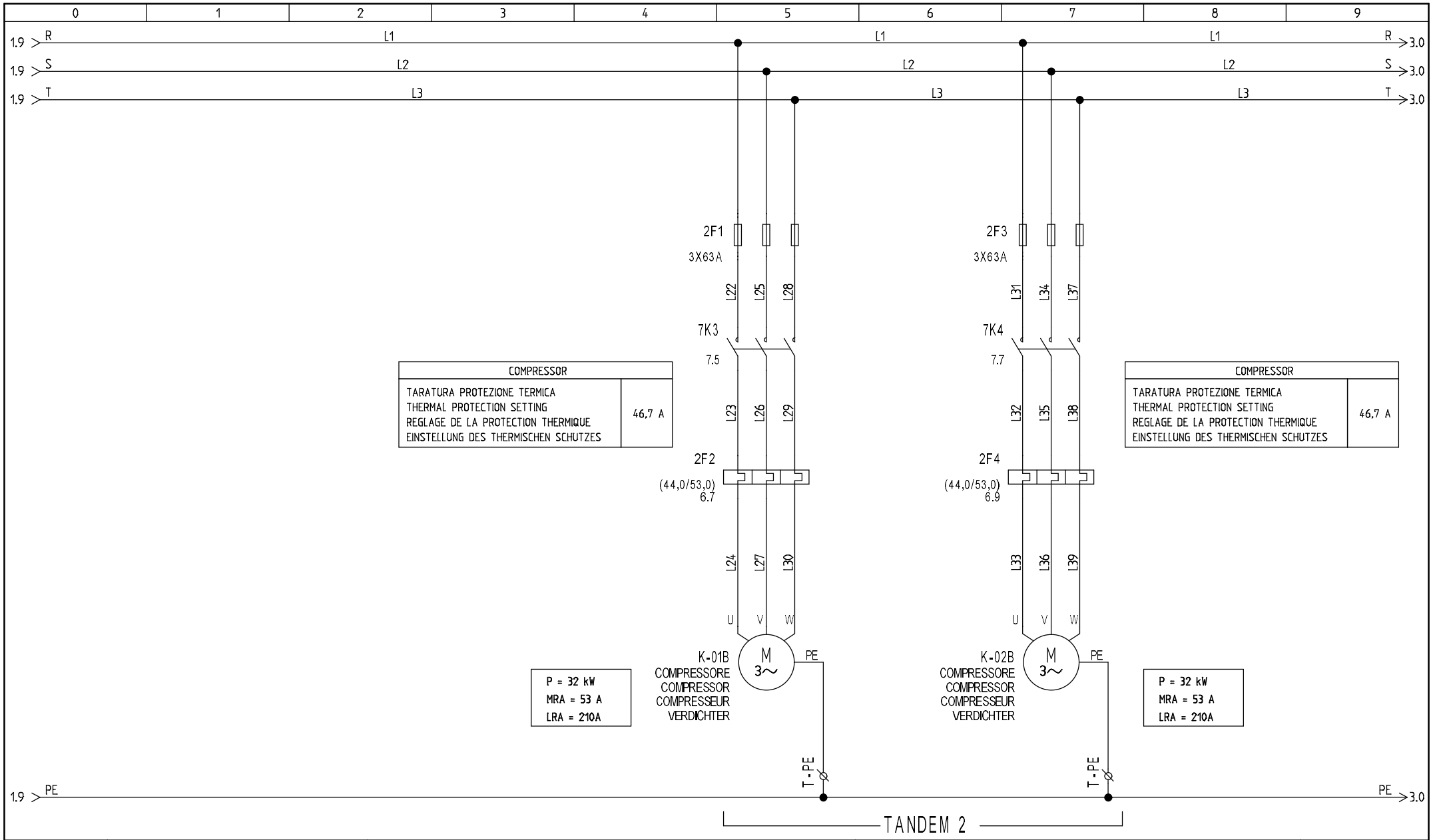
Drawing no.: 8E990056/001/A

This drawing is a property of Euroklima S.p.A. and we reserve the copyright to all our designs which cannot be reproduced, transmitted, disclosed to third parties or utilized in any form without first obtaining our written consent. Contravention will be prosecuted.
 This drawing is subject to modification time to time to suit construction purpose.

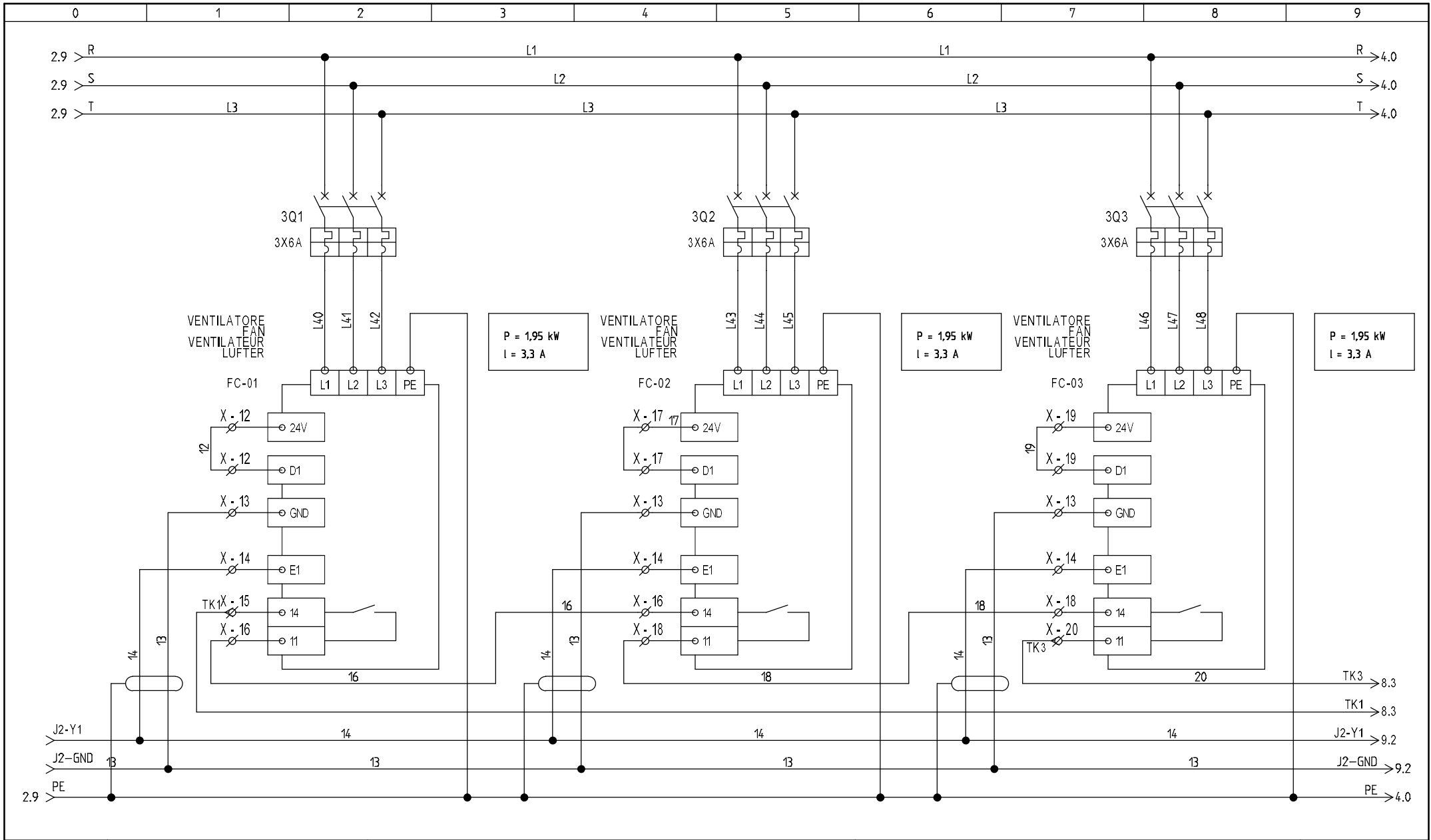
File name: 8E990056-001-A

DRAFT.: MU DATE: 18/02/2025

SHEET 1
 OF 16
 16



REV A	Modification EMISSIONE	Model: EKE NewGen IS/ST/AS/EC/00 1404	This drawing is a property of Euroklimat S.p.A. and we reserve the copyright to all our designs which cannot be reproduced, transmitted, disclosed to third parties or utilized in any form without first obtaining our written consent. Contravention will be prosecuted. This drawing is subject to modification time to time to suit construction purpose.	SHEET 2
18/02/2025	Drafter MU	Drawing no.: 8E990056/001/A		OF 16
	Approved AV		File name: 8E990056-001-A	1 <> 3
			DRAFT.: MU	DATE: 18/02/2025



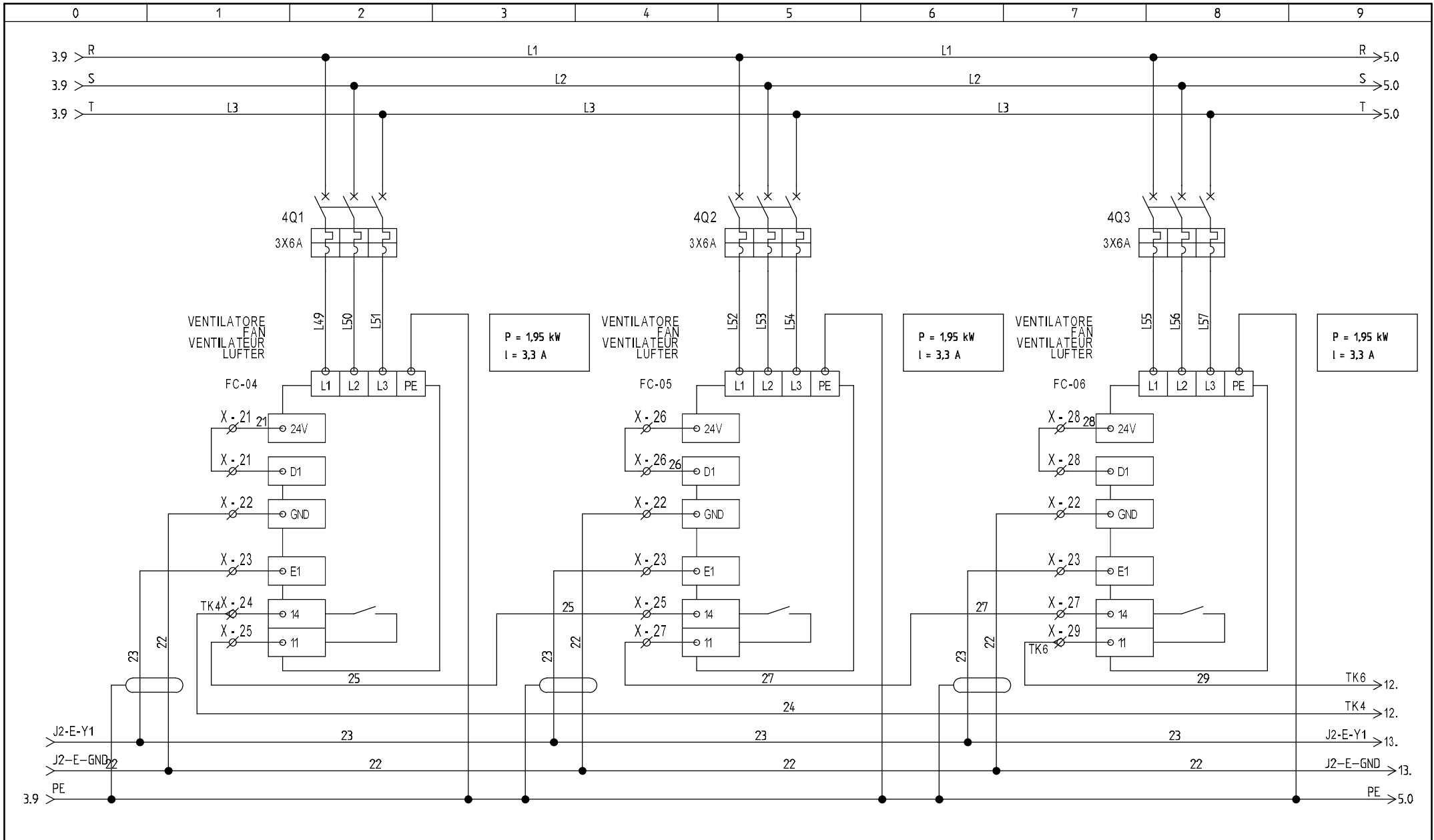
REV A	Modification EMISSIONE
18/02/2025	Drafter MU Approved AV

Model: EKE NewGen IS/ST/AS/EC/00 1404

Drawing no.: 8E990056/001/A

This drawing is a property of Euroklimat S.p.A. and we reserve the copyright to all our designs which cannot be reproduced, transmitted, disclosed to third parties or utilized in any form without first obtaining our written consent. Contravention will be prosecuted.
 This drawing is subject to modification time to time to suit construction purpose.

File name: 8E990056-001-A
 DRAFT.: MU DATE: 18/02/2025

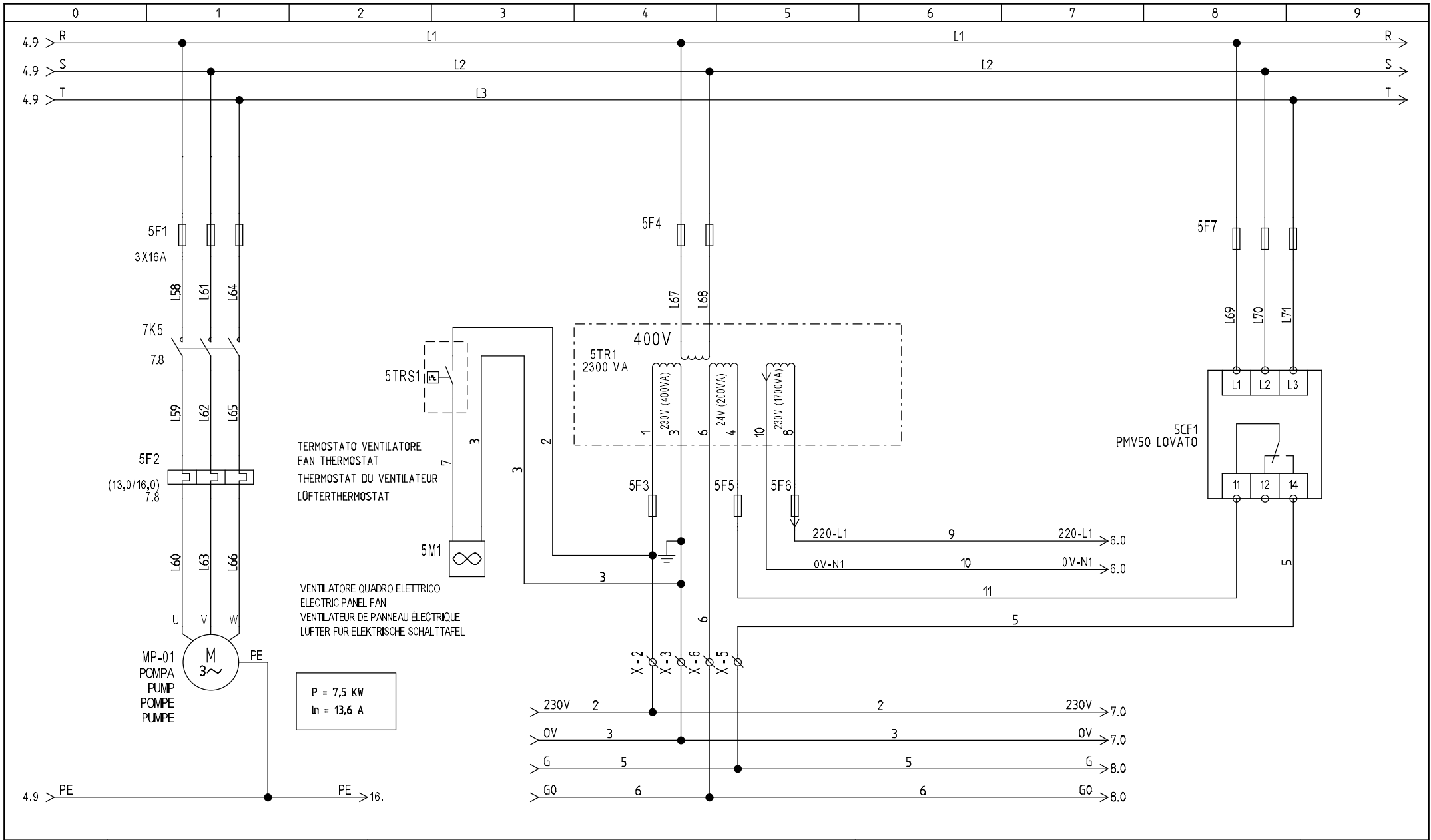


REV A	Modification EMISSIONE
18/02/2025	Drafter MU Approved AV

Model: EKE NewGen IS/ST/AS/EC/00 1404
 Drawing no.: 8E990056/001/A

This drawing is a property of Euroklimat S.p.A. and we reserve the copyright to all our designs which cannot be reproduced, transmitted, disclosed to third parties or utilized in any form without first obtaining our written consent. Contravention will be prosecuted.
 This drawing is subject to modification time to time to suit construction purpose.

File name: 8E990056-001-A
 DRAFT.: MU DATE: 18/02/2025

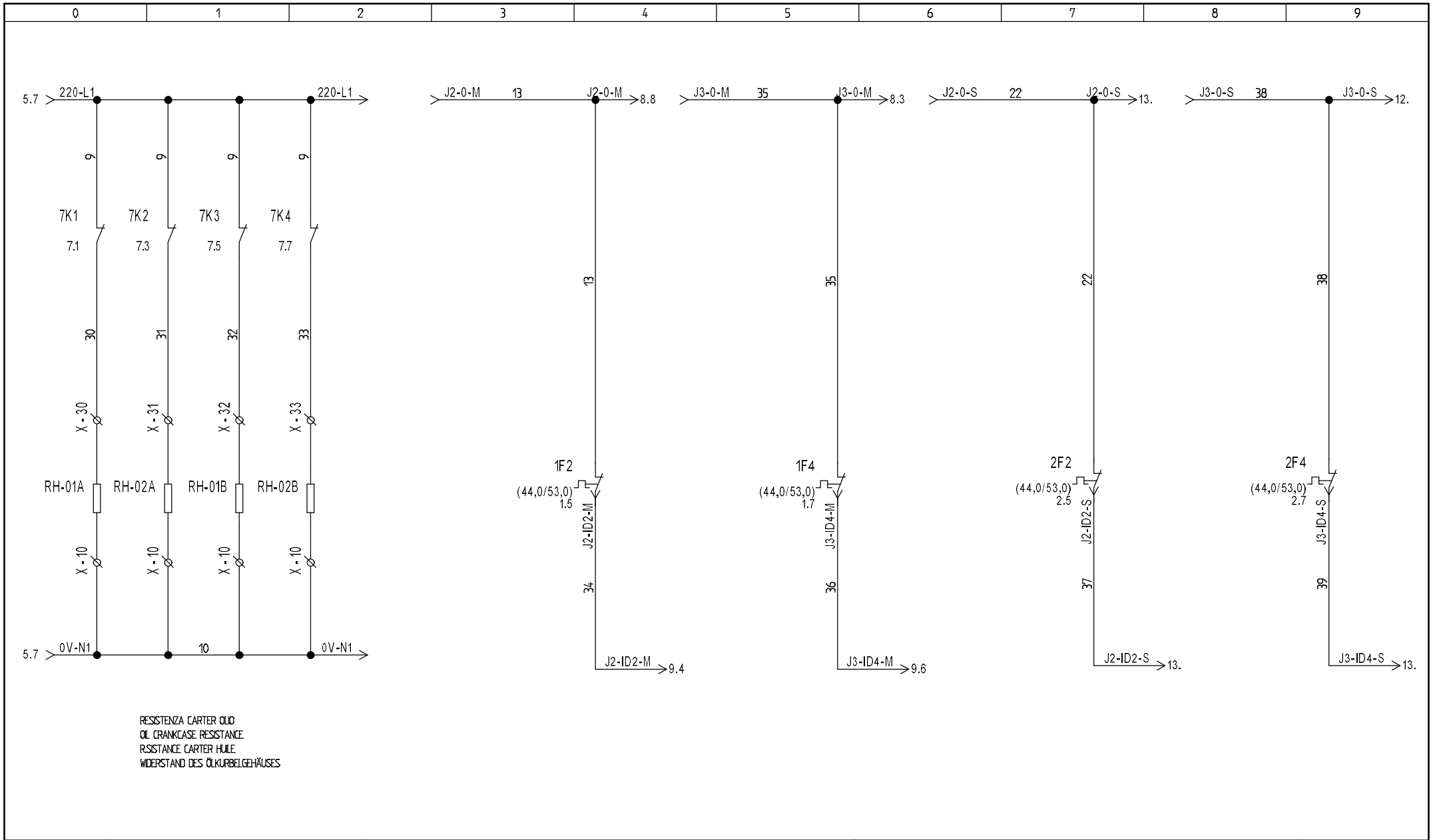


REV A	Modification EMISSIONE
18/02/2025	Drafter MU Approved AV

Model: EKE NewGen IS/ST/AS/EC/00 1404
Drawing no.: 8E990056/001/A

This drawing is a property of Euroklima S.p.A. and we reserve the copyright to all our designs which cannot be reproduced, transmitted, disclosed to third parties or utilized in any form without first obtaining our written consent. Contravention will be prosecuted.
This drawing is subject to modification time to time to suit construction purpose.

File name: 8E990056-001-A
DRAFT.: MU DATE: 18/02/2025

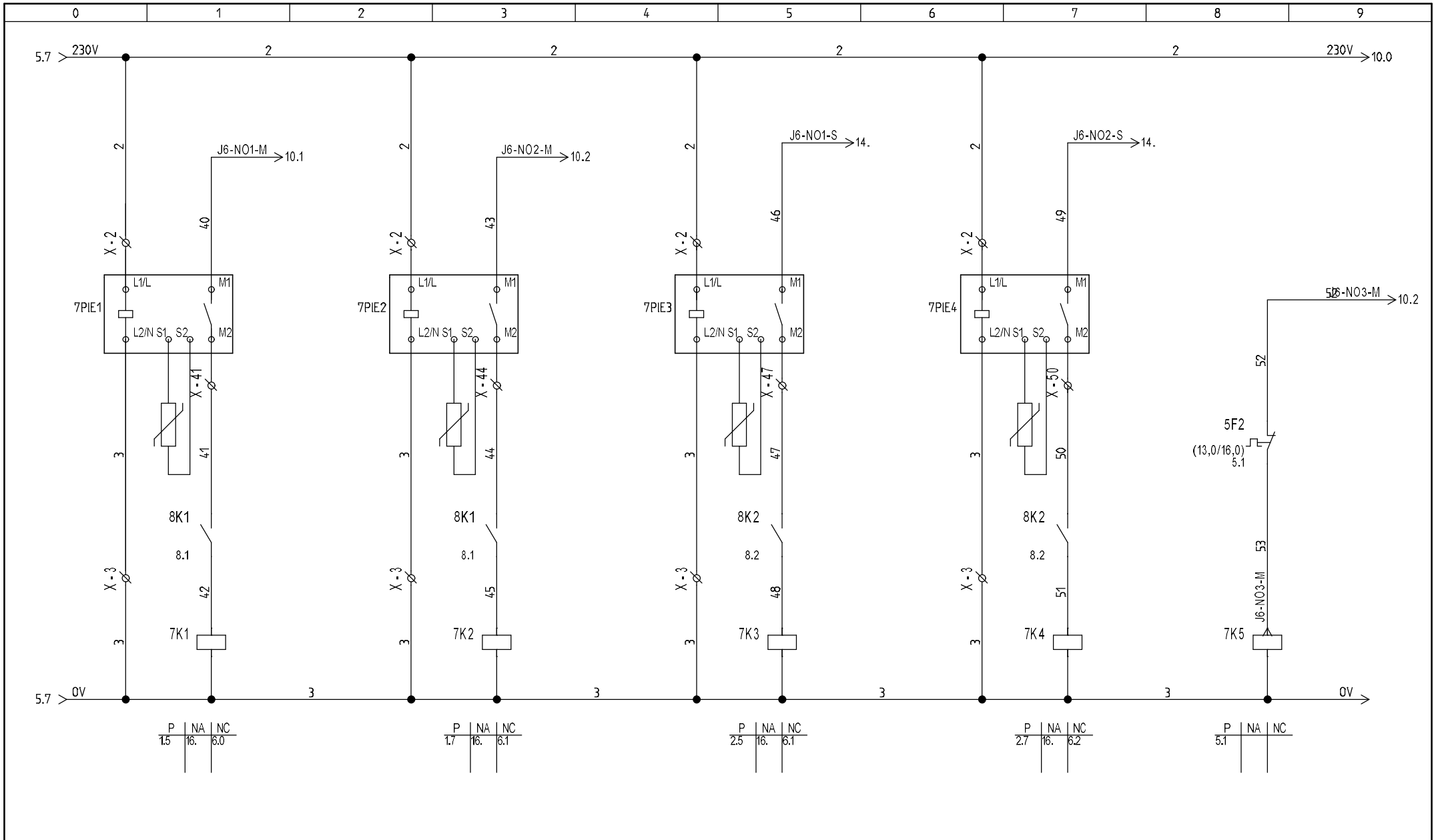


REV A	Modification EMISSIONE
18/02/2025	Drafter MU Approved AV

Model: EKE NewGen IS/ST/AS/EC/00 1404
 Drawing no.: 8E990056/001/A

This drawing is a property of Euroklimat S.p.A. and we reserve the copyright to all our designs which cannot be reproduced, transmitted, disclosed to third parties or utilized in any form without first obtaining our written consent. Contravention will be prosecuted.
 This drawing is subject to modification time to time to suit construction purpose.

File name: 8E990056-001-A
 DRAFT.: MU DATE: 18/02/2025

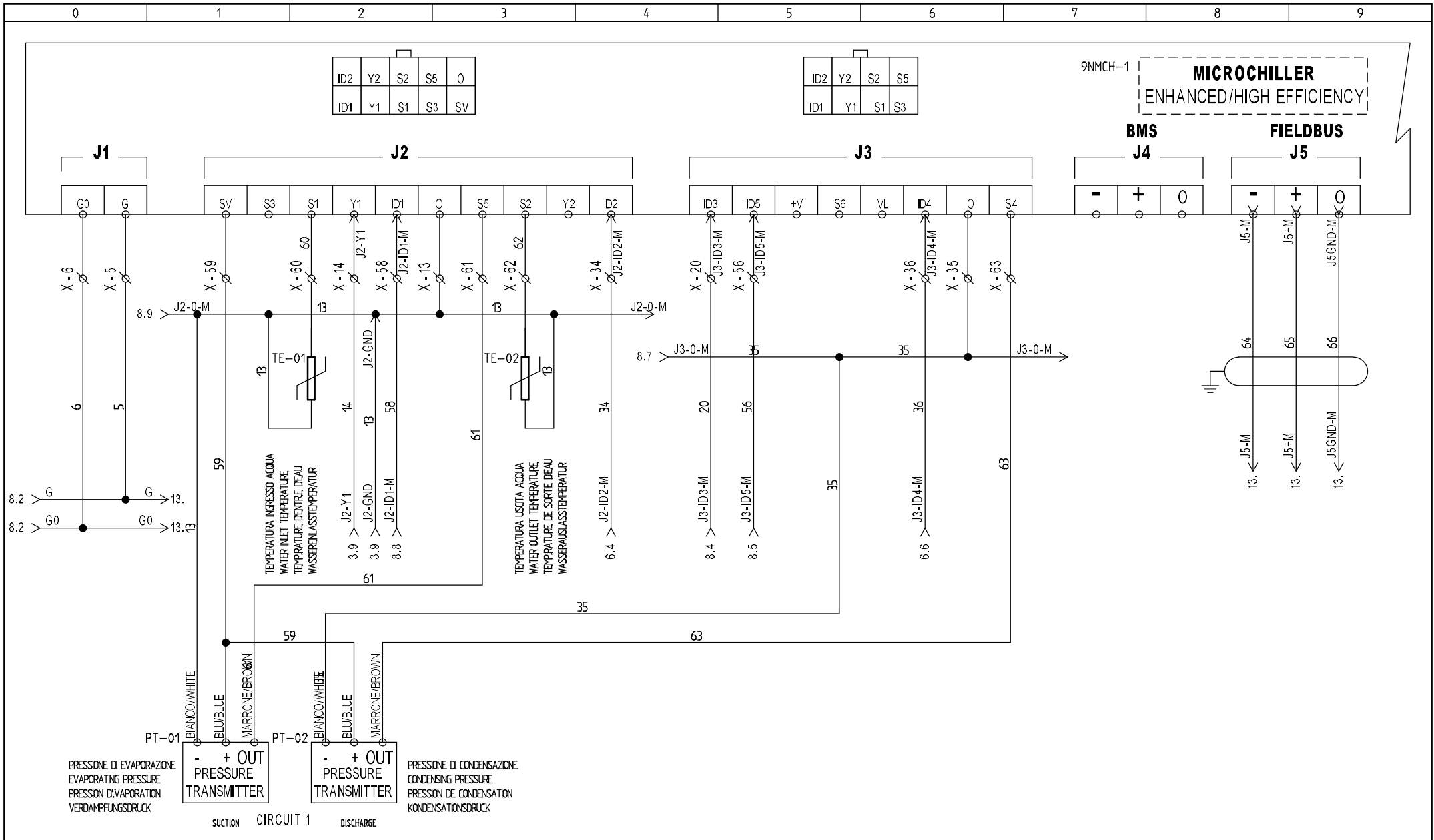


REV A	Modification EMISSIONE
18/02/2025	Drafter MU Approved AV

Model: EKE NewGen IS/ST/AS/EC/00 1404
 Drawing no.: 8E990056/001/A

This drawing is a property of Euroklima S.p.A. and we reserve the copyright to all our designs which cannot be reproduced, transmitted, disclosed to third parties or utilized in any form without first obtaining our written consent. Contravention will be prosecuted.
 This drawing is subject to modification time to time to suit construction purpose.

File name: 8E990056-001-A
 DRAFT.: MU DATE: 18/02/2025



REV A	Modification EMISSIONE
18/02/2025	Drafter MU
	Approved AV

Model: EKE NewGen IS/ST/AS/EC/00 1404

Drawing no.: 8E990056/001/A

This drawing is a property of Euroklimat S.p.A. and we reserve the copyright to all our designs which cannot be reproduced, transmitted, disclosed to third parties or utilized in any form without first obtaining our written consent. Contravention will be prosecuted.
This drawing is subject to modification time to time to suit construction purpose.

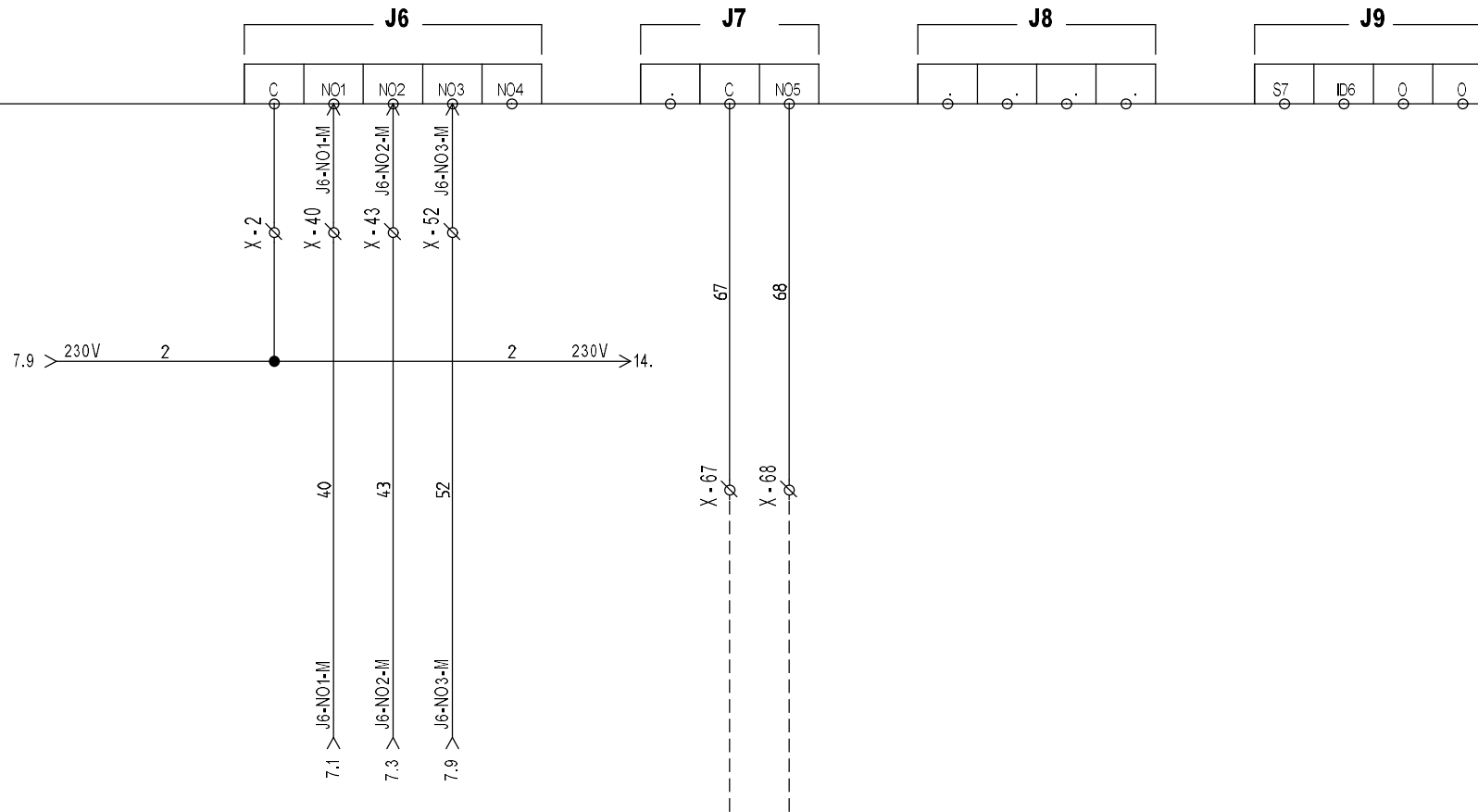
File name: 8E990056-001-A

DRAFT.: MU DATE: 18/02/2025

0	0
ID6	S7

10NMCH-1

MICROCHILLER
ENHANCED/HIGH EFFICIENCY



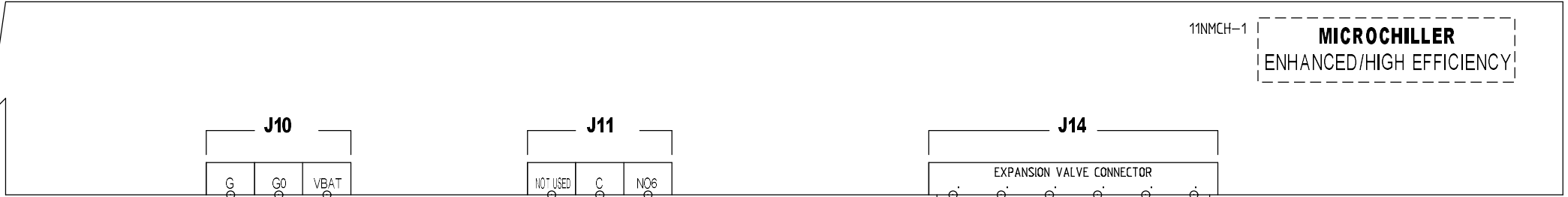
ALLARME GENERALE
GENERAL ALARM
ALARME GENERALE
ALLGEMEINER ALARM

REV A	Modification EMISSIONE
18/02/2025	Drafter MU Approved AV

Model: EKE NewGen IS/ST/AS/EC/00 1404
Drawing no.: 8E990056/001/A

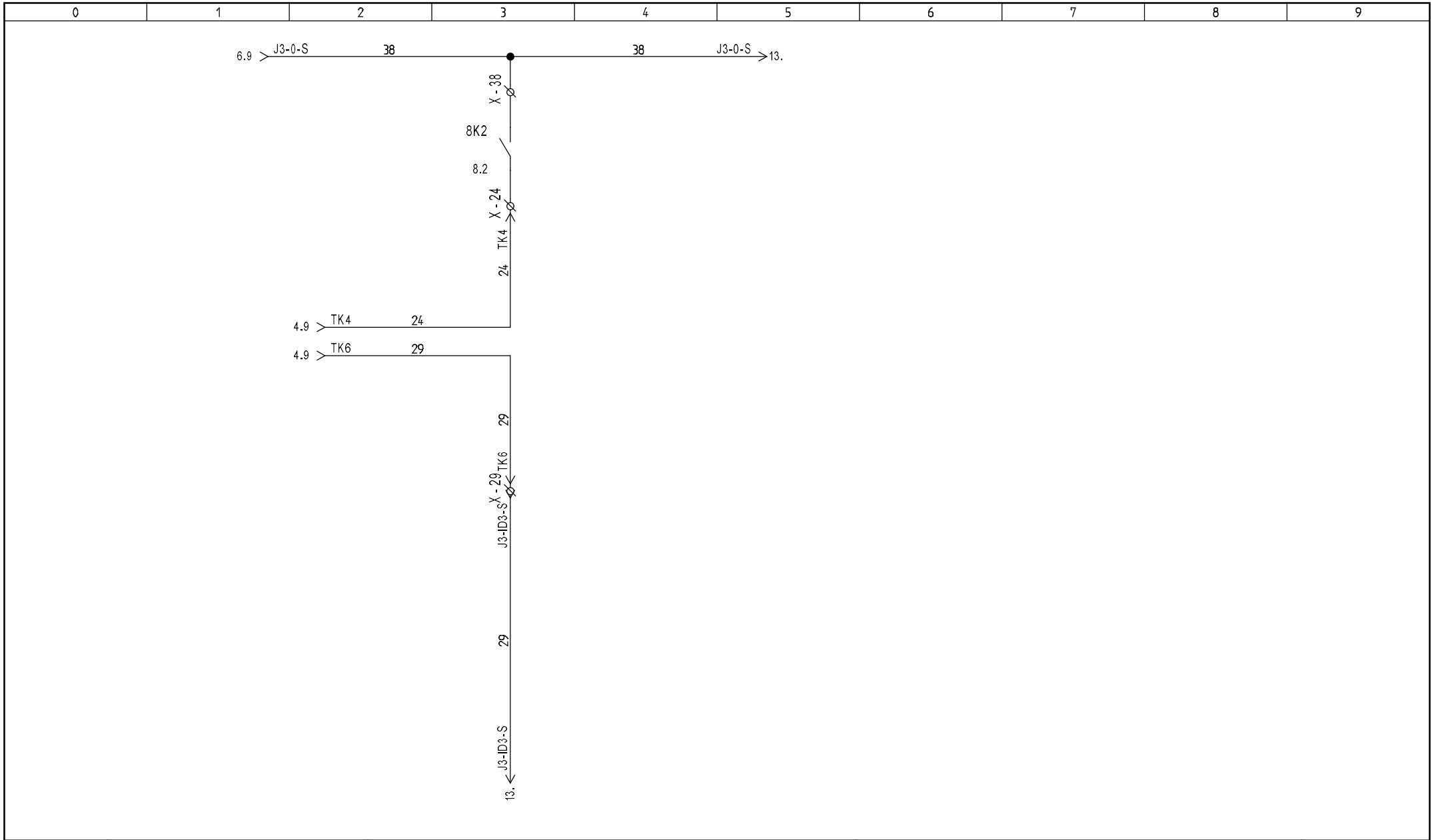
This drawing is a property of Euroklimat S.p.A. and we reserve the copyright to all our designs which cannot be reproduced, transmitted, disclosed to third parties or utilized in any form without first obtaining our written consent. Contravention will be prosecuted.
This drawing is subject to modification time to time to suit construction purpose.

File name: 8E990056-001-A
DRAFT.: MU DATE: 18/02/2025



NOT USED

REV A	Modification EMISSIONE	Model: EKE NewGen IS/ST/AS/EC/00 1404	This drawing is a property of Euroklimat S.p.A. and we reserve the copyright to all our designs which cannot be reproduced, transmitted, disclosed to third parties or utilized in any form without first obtaining our written consent. Contravention will be prosecuted. This drawing is subject to modification time to time to suit construction purpose.	SHEET 11
18/02/2025	Drafter MU Approved AV	Drawing no.: 8E990056/001/A		File name: 8E990056-001-A DRAFT.: MU DATE: 18/02/2025

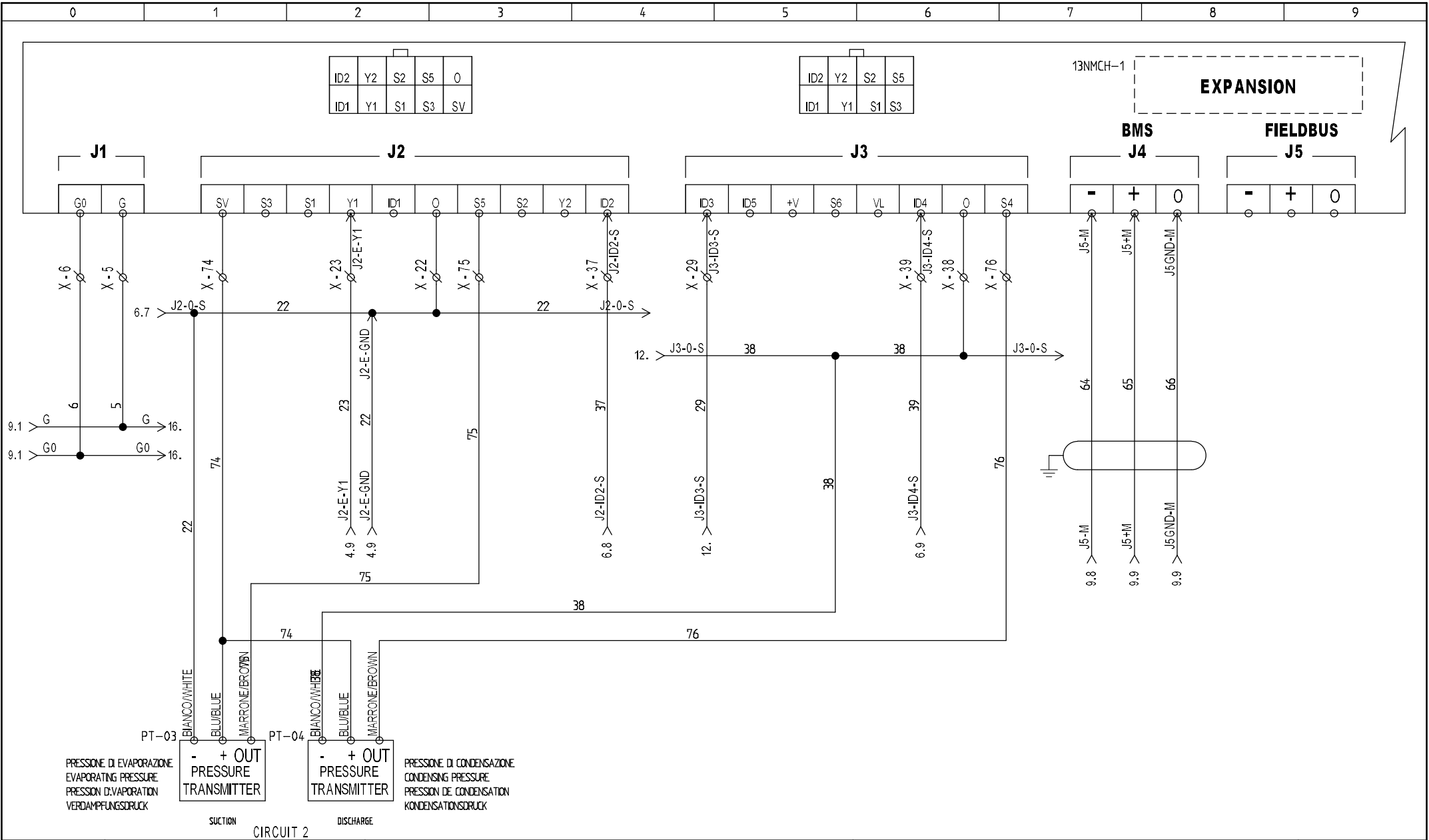


REV A	Modification EMISSIONE
18/02/2025	Drafter MU Approved AV

Model: EKE NewGen IS/ST/AS/EC/00 1404
 Drawing no.: 8E990056/001/A

This drawing is a property of Euroklimat S.p.A. and we reserve the copyright to all our designs which cannot be reproduced, transmitted, disclosed to third parties or utilized in any form without first obtaining our written consent. Contravention will be prosecuted.
 This drawing is subject to modification time to time to suit construction purpose.

File name: 8E990056-001-A
 DRAFT.: MU DATE: 18/02/2025



REV A	Modification EMISSIONE
18/02/2025	Drafter MU
	Approved AV

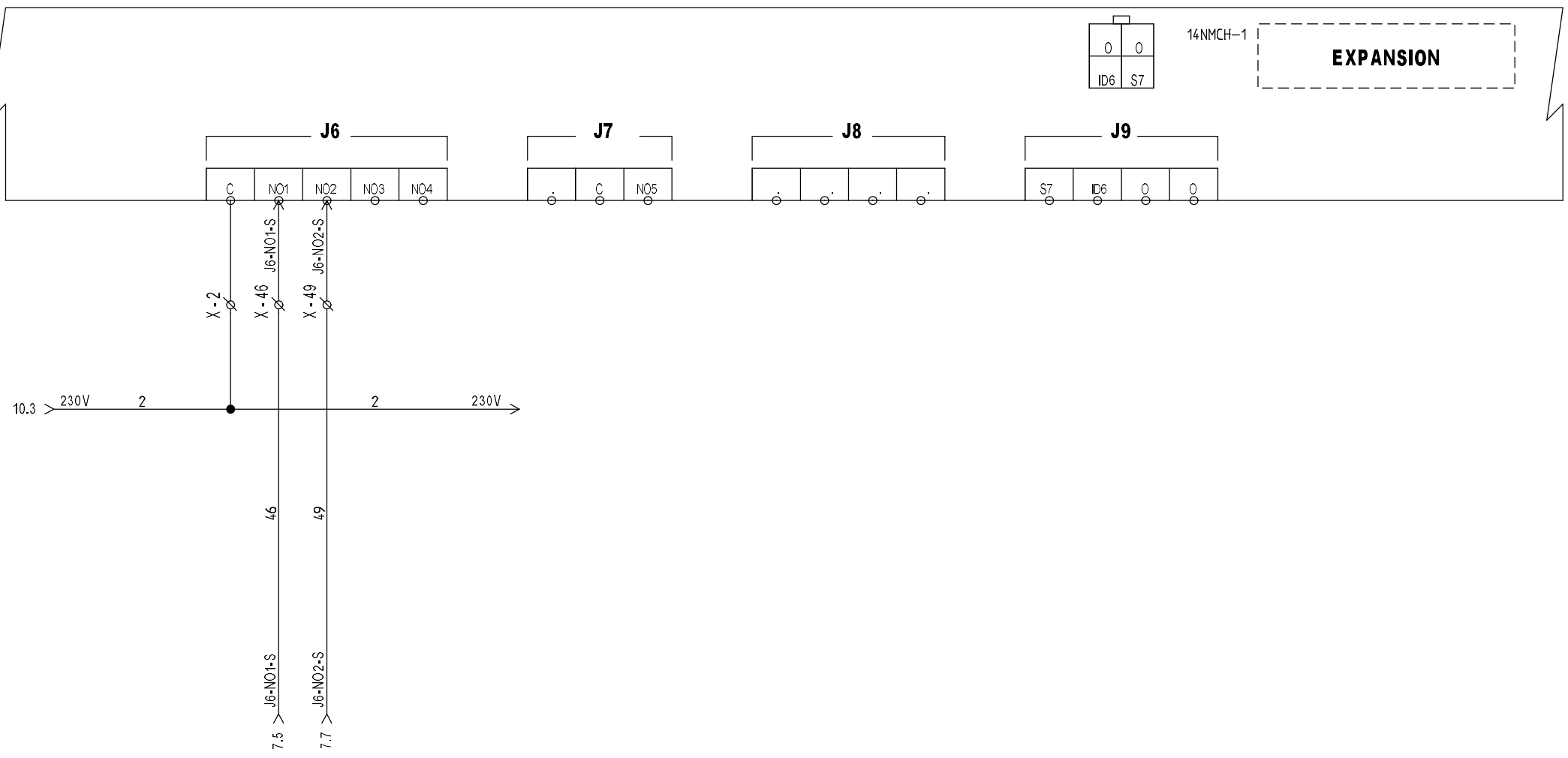
Model: EKE NewGen IS/ST/AS/EC/00 1404

Drawing no.: 8E990056/001/A

This drawing is a property of Euroklimat S.p.A. and we reserve the copyright to all our designs which cannot be reproduced, transmitted, disclosed to third parties or utilized in any form without first obtaining our written consent. Contravention will be prosecuted.
This drawing is subject to modification time to time to suit construction purpose.

File name: 8E990056-001-A

DRAFT.: MU DATE: 18/02/2025

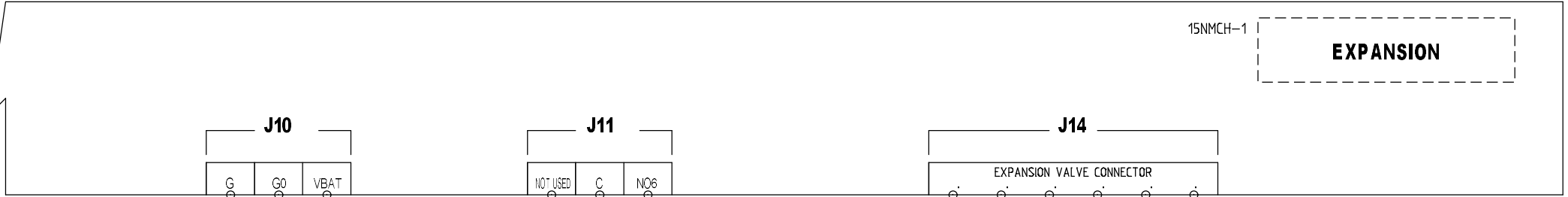


REV A	Modification EMISSIONE
18/02/2025	Drafter MU Approved AV

Model: EKE NewGen IS/ST/AS/EC/00 1404
 Drawing no.: 8E990056/001/A

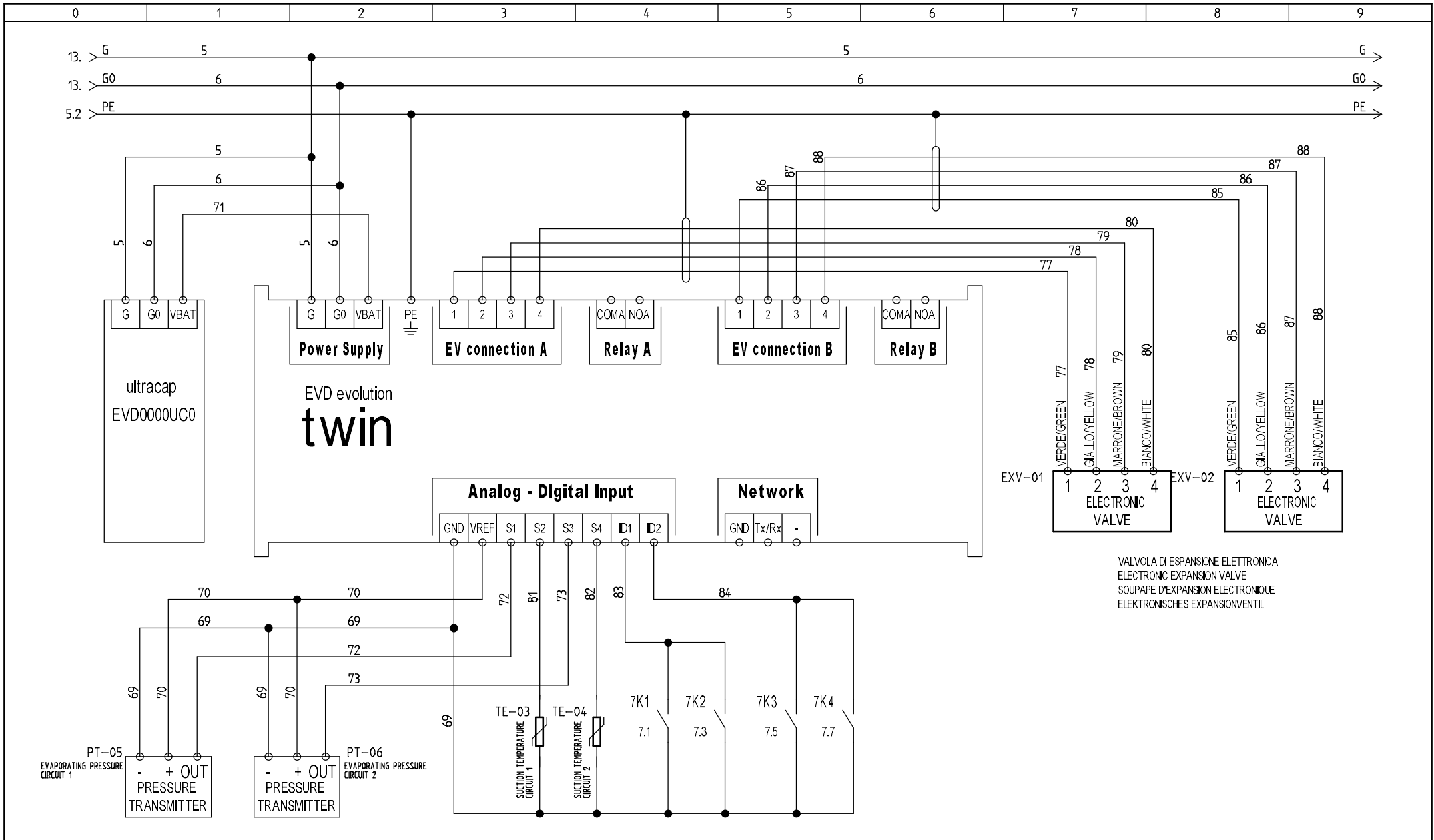
This drawing is a property of Euroklimat S.p.A. and we reserve the copyright to all our designs which cannot be reproduced, transmitted, disclosed to third parties or utilized in any form without first obtaining our written consent. Contravention will be prosecuted.
 This drawing is subject to modification time to time to suit construction purpose.

File name: 8E990056-001-A
 DRAFT.: MU DATE: 18/02/2025



NOT USED

REV A	Modification EMISSIONE	Model: EKE NewGen IS/ST/AS/EC/00 1404	This drawing is a property of Euroklimat S.p.A. and we reserve the copyright to all our designs which cannot be reproduced, transmitted, disclosed to third parties or utilized in any form without first obtaining our written consent. Contravention will be prosecuted. This drawing is subject to modification time to time to suit construction purpose.	SHEET 15
18/02/2025	Drafter MU Approved AV	Drawing no.: 8E990056/001/A		File name: 8E990056-001-A DRAFT.: MU DATE: 18/02/2025



VALVOLA DI ESPANSIONE ELETTRONICA
 ELECTRONIC EXPANSION VALVE
 SOUPAPE D'EXPANSION ELECTRONIQUE
 ELEKTRONISCHES EXPANSIONVENTIL

REV A	Modification EMISSIONE
18/02/2025	Drafter MU Approved AV

Model: EKE NewGen IS/ST/AS/EC/00 1404
 Drawing no.: 8E990056/001/A

This drawing is a property of Euroklima S.p.A. and we reserve the copyright to all our designs which cannot be reproduced, transmitted, disclosed to third parties or utilized in any form without first obtaining our written consent. Contravention will be prosecuted.
 This drawing is subject to modification time to time to suit construction purpose.

File name: 8E990056-001-A
 DRAFT.: MU DATE: 18/02/2025

