



Schema Elettrico / Wiring Diagram / Schéma de câblage / Schaltplan

8E990057/001/A

Modello macchina / Machine model / Modèle de machine / Maschinen-Modell

EKE NewGen IS/ST/AS/EC/00 804

Dati elettrici / Electrical data / Données électriques / Elektrische Daten:

Tensione esercizio / Main Voltage / Tension principale / Hauptspannung:	400V/3ph/50Hz
Tensione ausiliari / Auxiliary Voltage / Tension auxiliaire / Hilfsspannung:	230Vac-24Vac

Potenza max. assorbita / Max. total power input / Puissance absorbée totale max. / Max. gesamtleistung:	83,4 kW
Corrente max. assorbita / Max. absorbed current / Courant max. absorbé / Max. absorbierter strom	142,7 A
Corrente di spunto / Starting current / Courant de démarrage / Anlaufstrom:	284,5 A

Limiti operativi / Operating limits / Limites de fonctionnement / Betriebsgrenzen:

Range di tensione / Voltage range / Intervalle de tension / Spannungsbereich:	+/- 10%
Squilibrio tensione / Voltage unbalance / Déséquilibre de tension / Spannungsunsymmetrie:	+/- 2%
Range di frequenza / Frequency range / Intervalle de fréquence / Frequenzbereich:	+/- 1%

REV A	Descrizione revisione / Revision description EMISSIONE			Model: EKE NewGen IS/ST/AS/EC/00 804	This drawing is a property of Euroklimat S.p.A. and we reserve the copyright to all our designs which cannot be reproduced, transmitted, disclosed to third parties or utilized in any form without first obtaining our written consent. Contravention will be prosecuted. This drawing is subject to modification time to time to suit construction purpose.	SECTION 01
	17/02/2025	Drafter MU	Checked AV			
				DRAFT.: MU	DATE: 17/02/2025	SHEET 1

Simbol	Description
	INTERRUTTORE PRINCIPALE MAIN SWITCH INTERRUPTEUR PRINCIPAL HAUPTSCHALTER
	FUSIBILI FUSES FUSIBLES SICHERUNGEN
	TELERUTTORE CONTACTOR CONTACTEUR KONTAKTOR
	MOTORE TRIFASE THREE-PHASE MOTOR MOTEUR TRIPHASE DREIPHASIGER MOTOR
	INTERRUTTORE MAGNETOTERMICO SWITCH MAGNETERMIC COMMUTATEUR MAGNETERMIC SCHALTER MAGNETERMIK
	PROTEZIONE TERMICA THERMAL PROTECTION PROTECTION THERMIQUE WÄRMESCHUTZ
	RELE SEQUENZA FASI SEQUENCE PHASE RELAY RELAIS DE PHASE DE SEQUENCE SEQUENZPHASENRELAIS
	PROTEZIONE TERMICA AVVOLGIMENTI (VENTILATORE) WINDING TEMPERATURE PROTECTION (FAN) PROTECTION DE LA TEMPERATURE DE REMONTAGE (VENTILATEUR) WICKLUNGSTEMPERATURSCHUTZ (LÜFTER)
	RESISTENZA RESISTANCE RESISTANCE WIDERSTAND

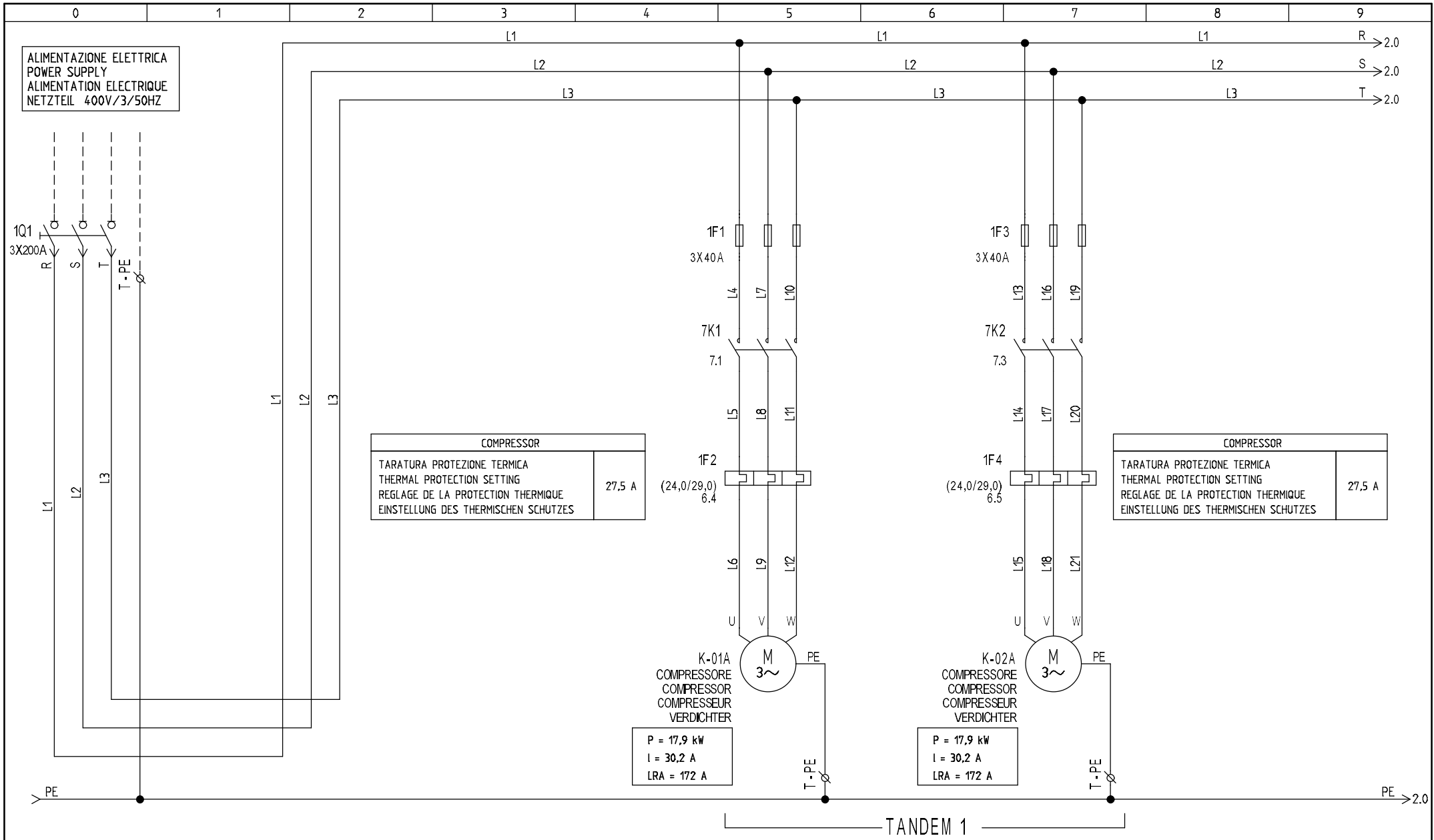
Simbol	Description
	RELE AUSILIARIO AUXILIARY RELAY RELAIS AUXILIAIRE HILFSRELAIS
	VALVOLA SOLENOIDE SOLENOID VALVE ELECTROVANNE MAGNETVENTIL
	PRESSOSTATO PRESSURE SWITCH INTERRUPTEUR DE PRESSION DRUCKSCHALTER
	SELETTORE 0-1 0-1 SELECTOR SELECTEUR 0-1 0-1 AUSWAHL
	TRASFORMATORE AUSILIARI AUXILIARY TRANSFORMER TRANSFORMATEUR AUXILIAIRE ZUSATZTRANSFORMATOR
	SONDA NTC NTC PROBE SONDE NTC NTC PROBE
	PRESSOSTATO DIFFERENZIALE DIFFERENTIAL PRESSURE SWITCH INTERRUPTEUR DE PRESSION DIFFERENTIELLE DIFFERENZDRUCKSCHALTER
	INTERRUTTORE CONTATTI AUSILIARI CIRCUIT BREAKER AUXILIARY CONTACT CONTACT AUXILIAIRE DISJONCTEUR CIRCUIT BREAKER ZUSATZKONTAKT

REV A	Modification EMISSIONE
17/02/2025	Drafter MU Approved AV

Model: EKE NewGen IS/ST/AS/EC/00 804
Drawing no.: 8E990057/001/A

This drawing is a property of Euroklimat S.p.A. and we reserve the copyright to all our designs which cannot be reproduced, transmitted, disclosed to third parties or utilized in any form without first obtaining our written consent. Contravention will be prosecuted.
This drawing is subject to modification time to time to suit construction purpose.

File name: 8E990057-001-A
DRAFT.: MU DATE: 17/02/2025



REV A	Modification EMISSIONE
17/02/2025	Drafter MU Approved AV

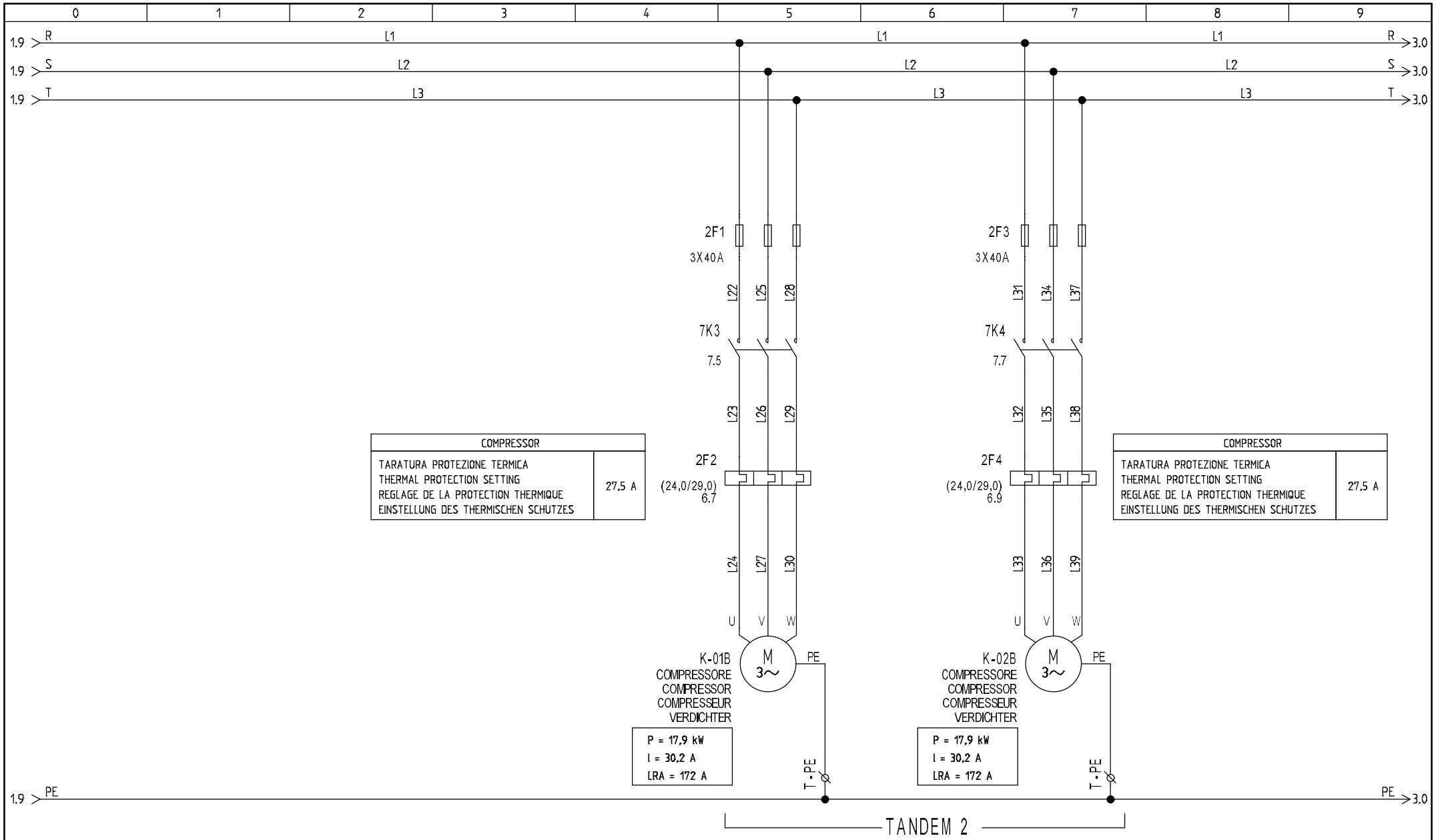
Model: EKE NewGen IS/ST/AS/EC/00 804

Drawing no.: 8E990057/001/A

This drawing is a property of Euroklimat S.p.A. and we reserve the copyright to all our designs which cannot be reproduced, transmitted, disclosed to third parties or utilized in any form without first obtaining our written consent. Contravention will be prosecuted.
 This drawing is subject to modification time to time to suit construction purpose.

File name: 8E990057-001-A

DRAFT.: MU DATE: 17/02/2025



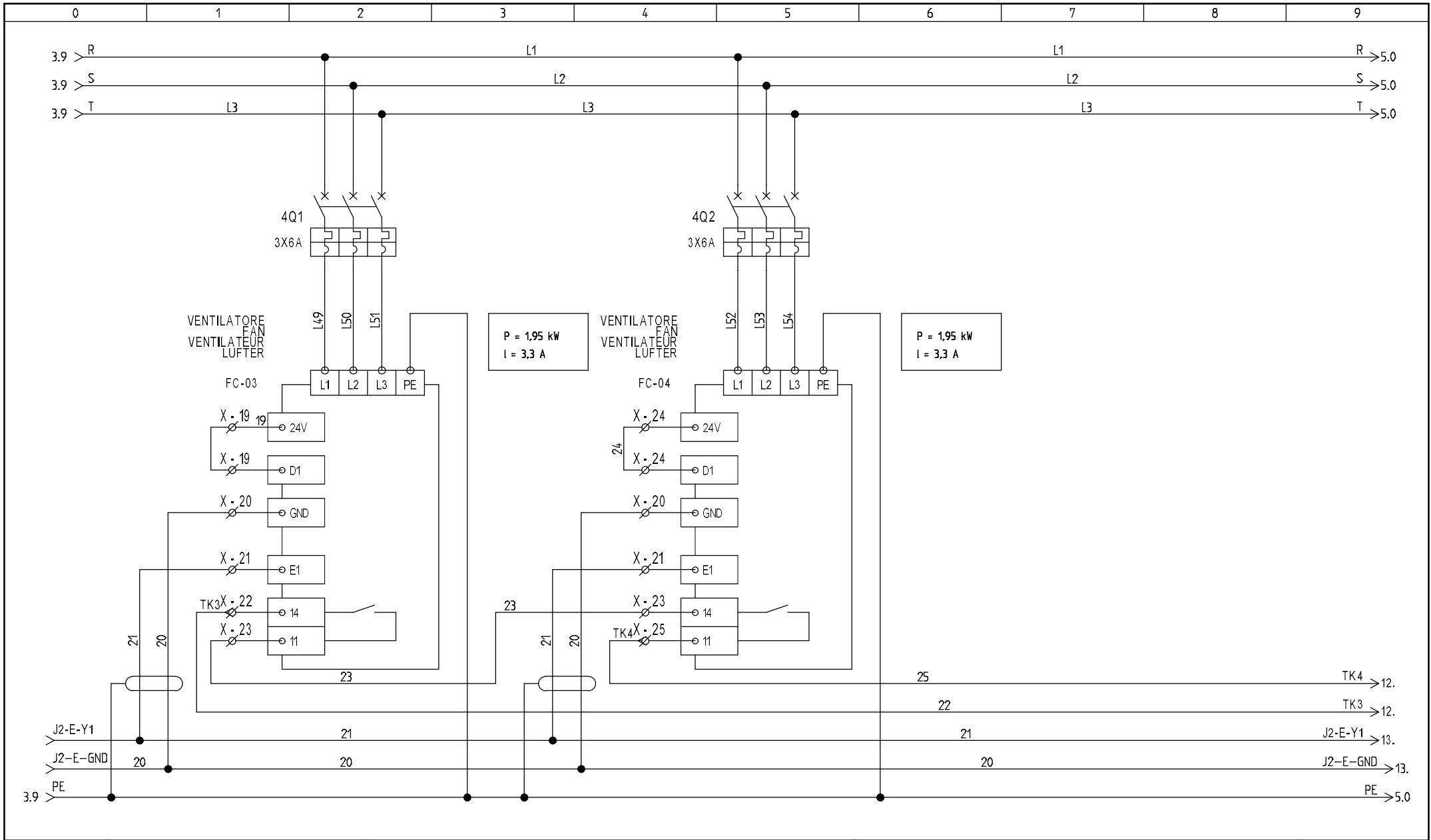
COMPRESSOR	
TARATURA PROTEZIONE TERMICA THERMAL PROTECTION SETTING REGLAGE DE LA PROTECTION THERMIQUE EINSTELLUNG DES THERMISCHEN SCHUTZES	27.5 A

COMPRESSOR	
TARATURA PROTEZIONE TERMICA THERMAL PROTECTION SETTING REGLAGE DE LA PROTECTION THERMIQUE EINSTELLUNG DES THERMISCHEN SCHUTZES	27.5 A

P = 17,9 kW I = 30,2 A LRA = 172 A
--

P = 17,9 kW I = 30,2 A LRA = 172 A
--

REV A	Modification EMISSIONE	Model: EKE NewGen IS/ST/AS/EC/00 804	This drawing is a property of Euroklimat S.p.A. and we reserve the copyright to all our designs which cannot be reproduced, transmitted, disclosed to third parties or utilized in any form without first obtaining our written consent. Contravention will be prosecuted. This drawing is subject to modification time to time to suit construction purpose.	SHEET 2
17/02/2025	Drafter MU	Drawing no.: 8E990057/001/A		OF 15
	Approved AV		File name: 8E990057-001-A	1 ◀ ▶ 3
			DRAFT.: MU	DATE: 17/02/2025

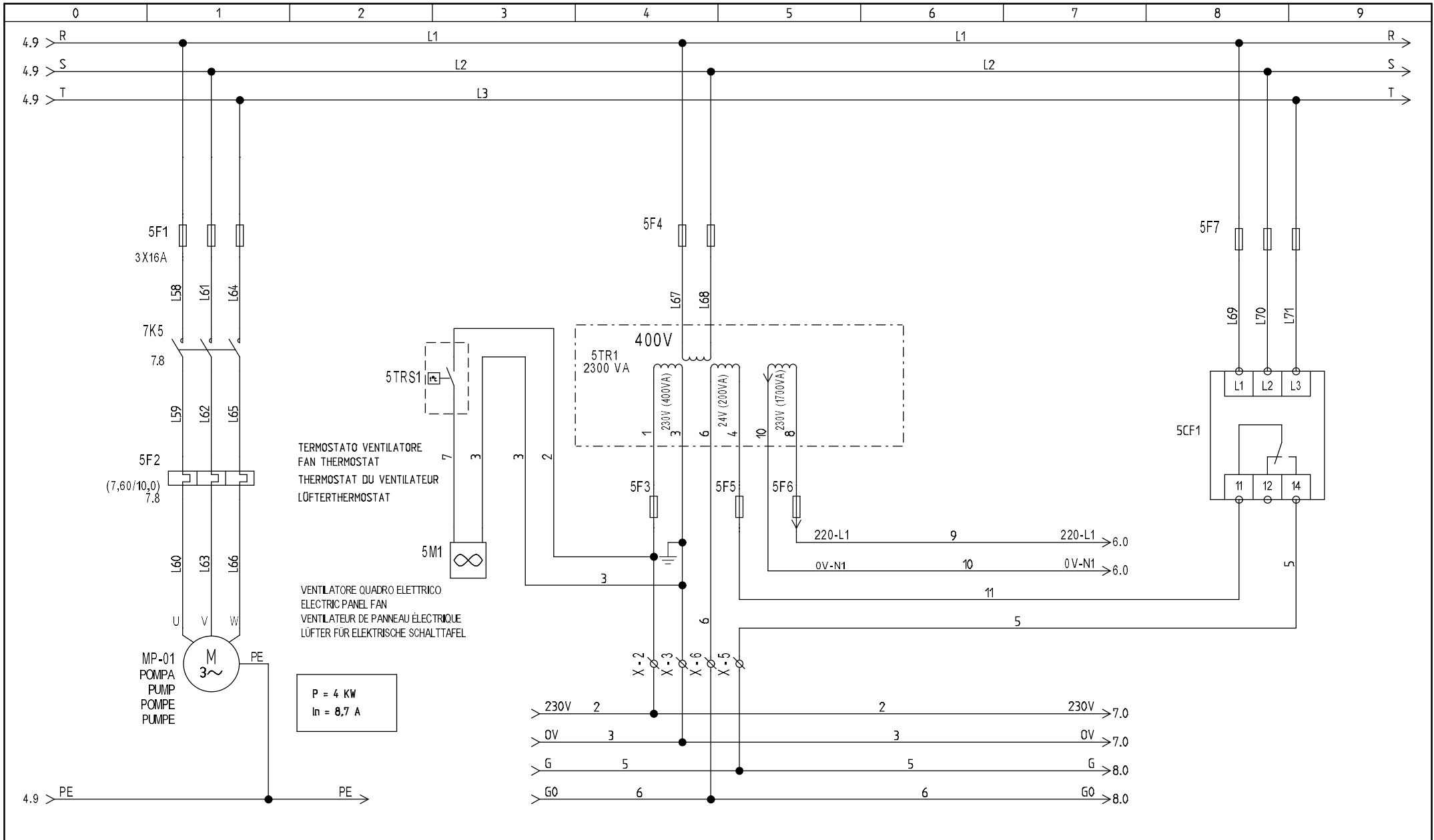


REV A	Modification EMISSIONE
17/02/2025	Drafter MU Approved AV

Model: EKE NewGen IS/ST/AS/EC/00 804
 Drawing no.: 8E990057/001/A

This drawing is a property of Euroklimat S.p.A. and we reserve the copyright to all our designs which cannot be reproduced, transmitted, disclosed to third parties or utilized in any form without first obtaining our written consent. Contravention will be prosecuted.
 This drawing is subject to modification time to time to suit construction purpose.

File name: 8E990057-001-A
 DRAFT.: MU DATE: 17/02/2025



REV A	Modification EMISSIONE
17/02/2025	Drafter MU Approved AV

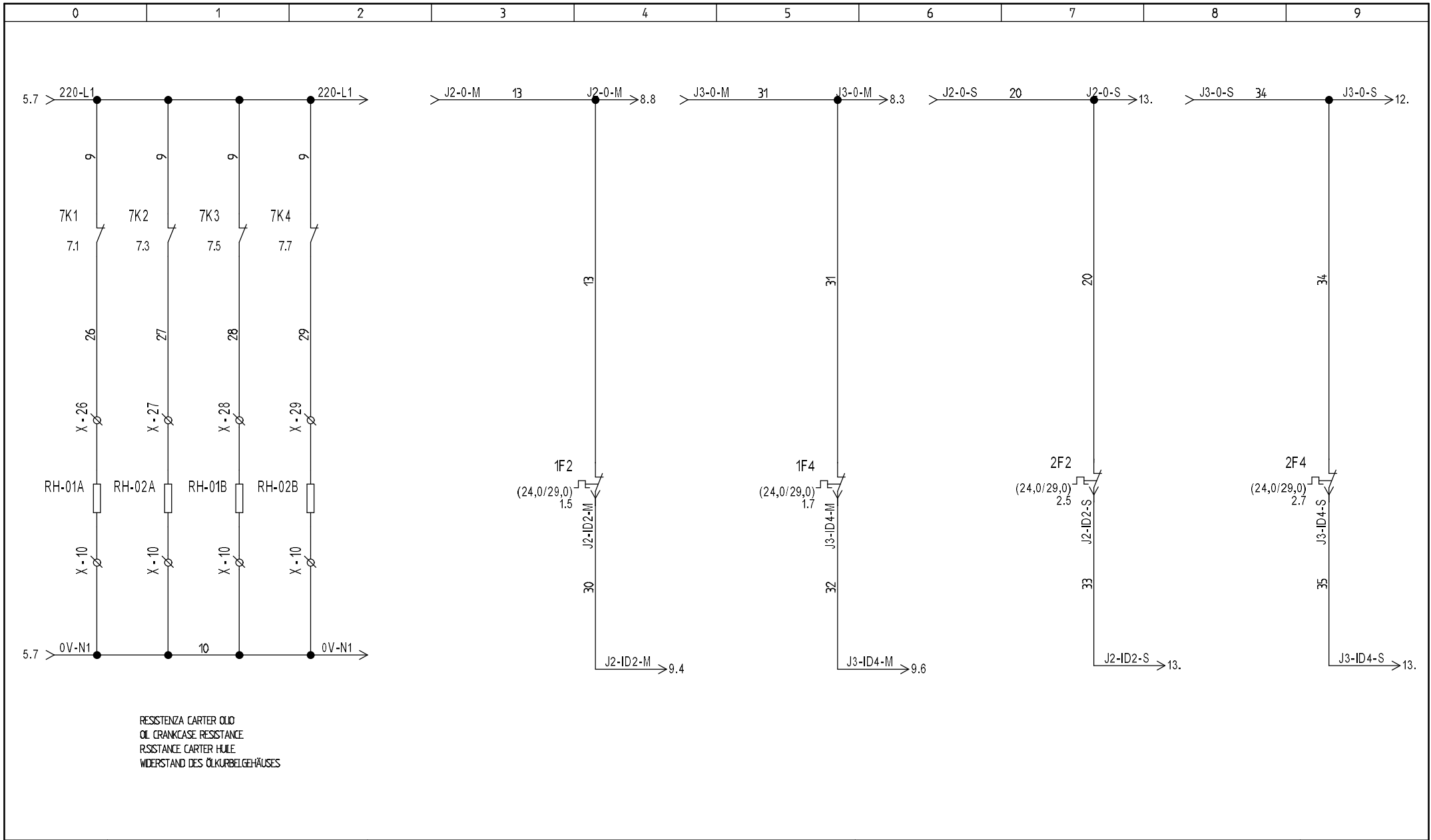
Model: EKE NewGen IS/ST/AS/EC/00 804

Drawing no.: 8E990057/001/A

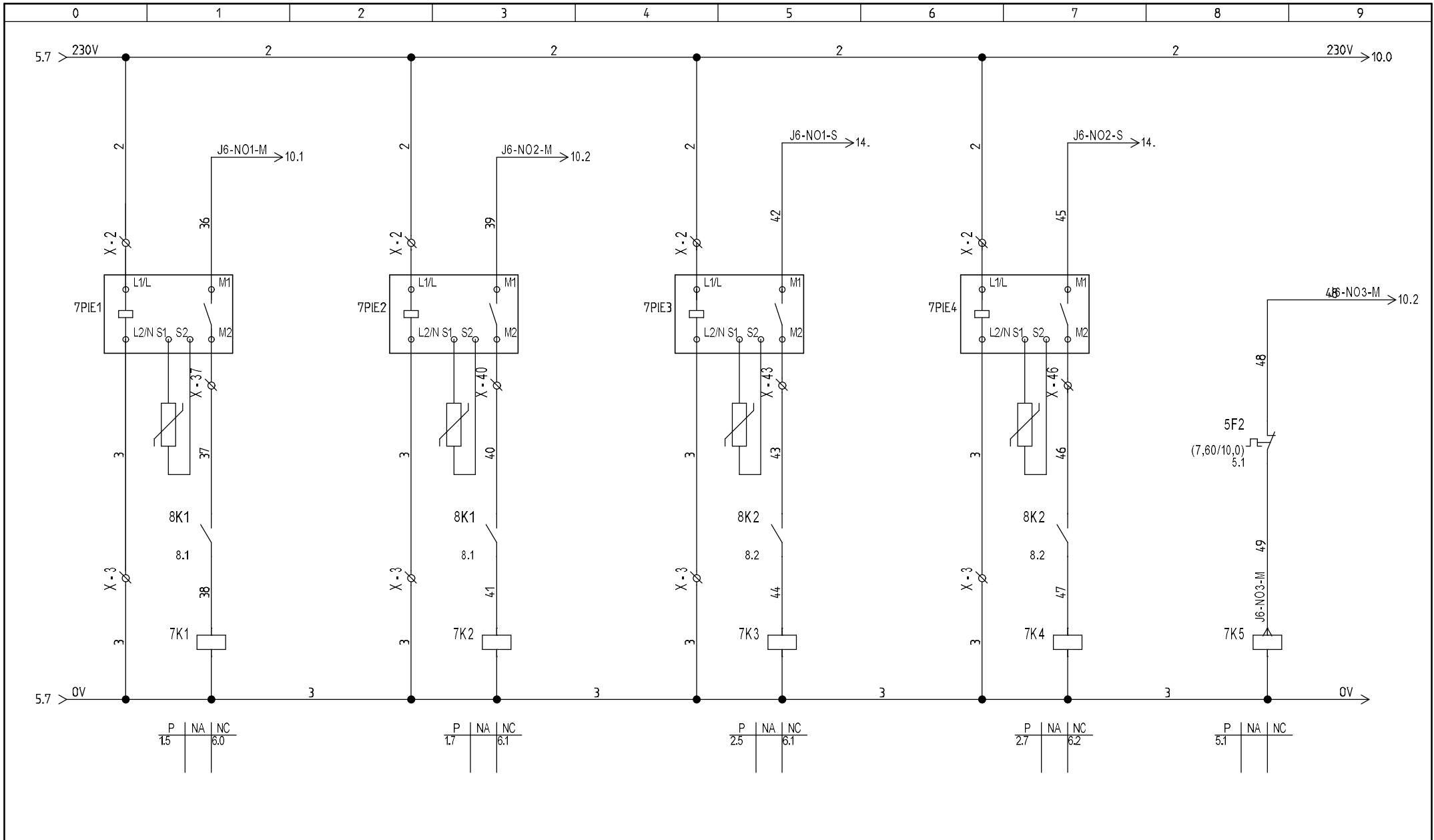
This drawing is a property of Euroklima S.p.A. and we reserve the copyright to all our designs which cannot be reproduced, transmitted, disclosed to third parties or utilized in any form without first obtaining our written consent. Contravention will be prosecuted.
This drawing is subject to modification time to time to suit construction purpose.

File name: 8E990057-001-A

DRAFT.: MU DATE: 17/02/2025



REV A	Modification EMISSIONE	Model: EKE NewGen IS/ST/AS/EC/00 804	This drawing is a property of Euroklimat S.p.A. and we reserve the copyright to all our designs which cannot be reproduced, transmitted, disclosed to third parties or utilized in any form without first obtaining our written consent. Contravention will be prosecuted. This drawing is subject to modification time to time to suit construction purpose.	SHEET 6
17/02/2025	Drafter MU Approved AV	Drawing no.: 8E990057/001/A	File name: 8E990057-001-A DRAFT.: MU	OF 5 5 7
			DATE: 17/02/2025	

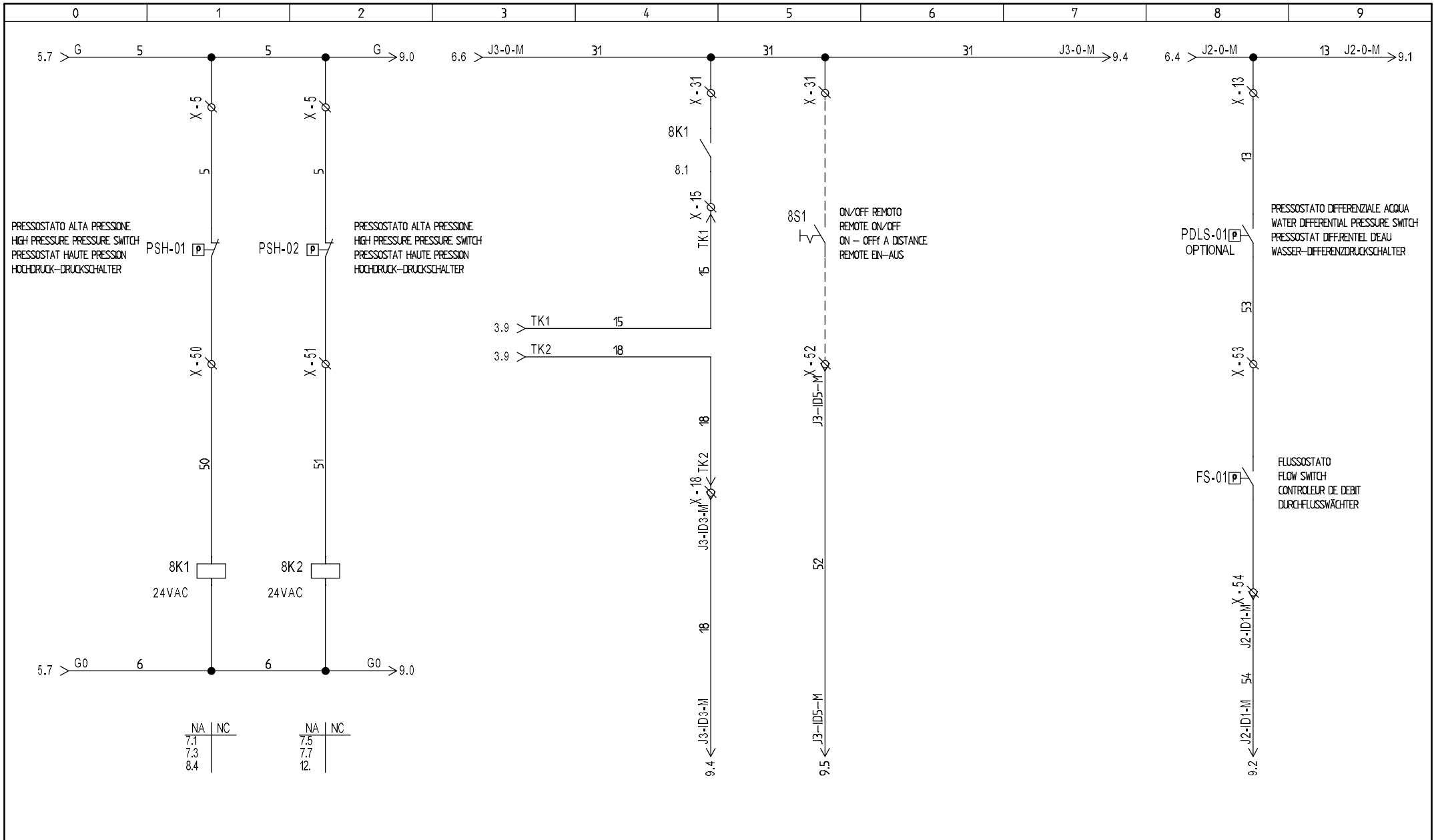


REV A	Modification EMISSIONE
17/02/2025	Drafter MU Approved AV

Model: EKE NewGen IS/ST/AS/EC/00 804
 Drawing no.: 8E990057/001/A

This drawing is a property of Euroklima S.p.A. and we reserve the copyright to all our designs which cannot be reproduced, transmitted, disclosed to third parties or utilized in any form without first obtaining our written consent. Contravention will be prosecuted.
 This drawing is subject to modification time to time to suit construction purpose.

File name: 8E990057-001-A
 DRAFT.: MU DATE: 17/02/2025

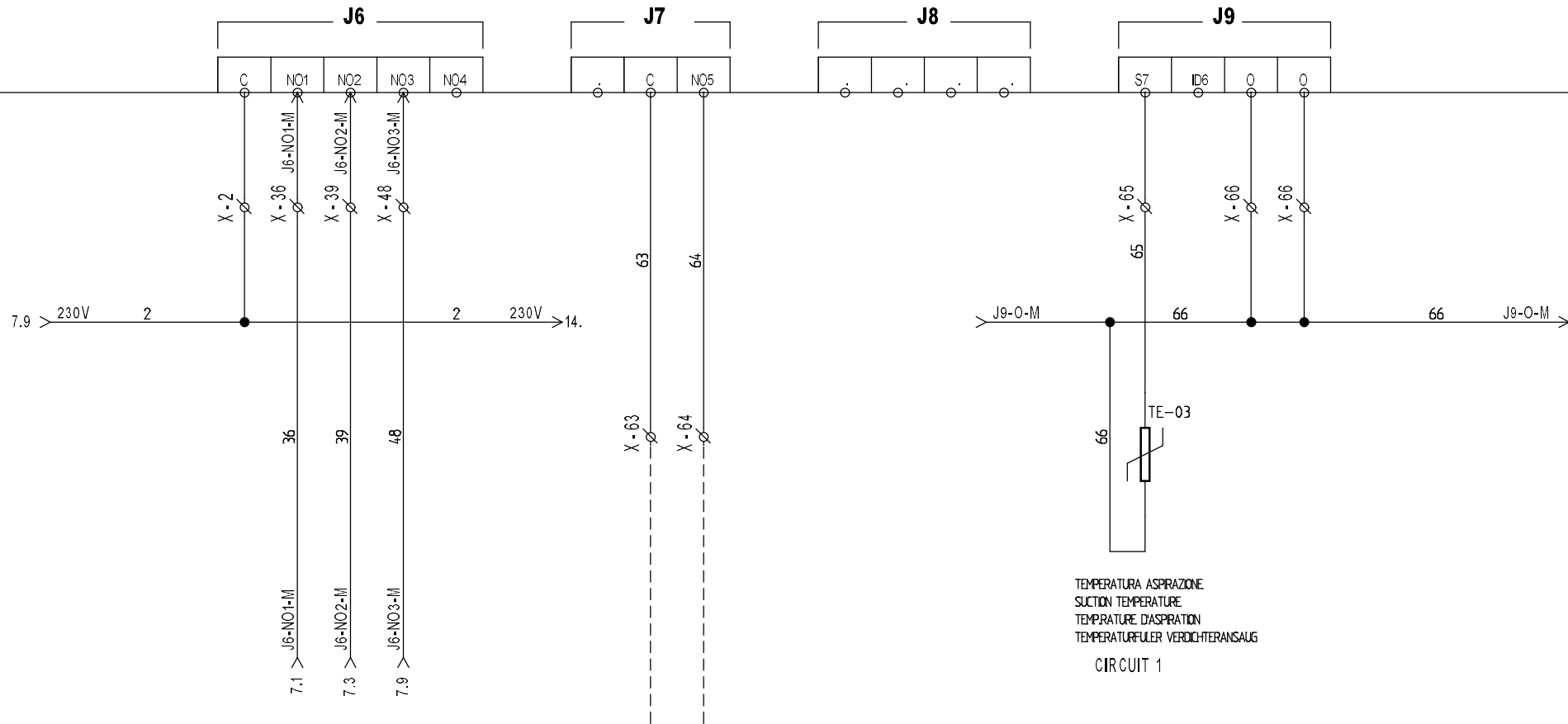


REV A	Modification EMISSIONE	Model: EKE NewGen IS/ST/AS/EC/00 804	This drawing is a property of Euroklima S.p.A. and we reserve the copyright to all our designs which cannot be reproduced, transmitted, disclosed to third parties or utilized in any form without first obtaining our written consent. Contravention will be prosecuted. This drawing is subject to modification time to time to suit construction purpose.	SHEET 8
17/02/2025	Drafter MU	Drawing no.: 8E990057/001/A		OF 15
	Approved AV		File name: 8E990057-001-A	7 ◀▶ 9
			DRAFT.: MU	DATE: 17/02/2025

0	0
ID6	S7

10NMCH-1

MICROCHILLER
ENHANCED/HIGH EFFICIENCY



TEMPERATURA ASPIRAZIONE
SUCTION TEMPERATURE
TEMPERATURE D'ASPIRATION
TEMPERATUREFÜHRER VERDICHTERANSAUG
CIRCUIT 1

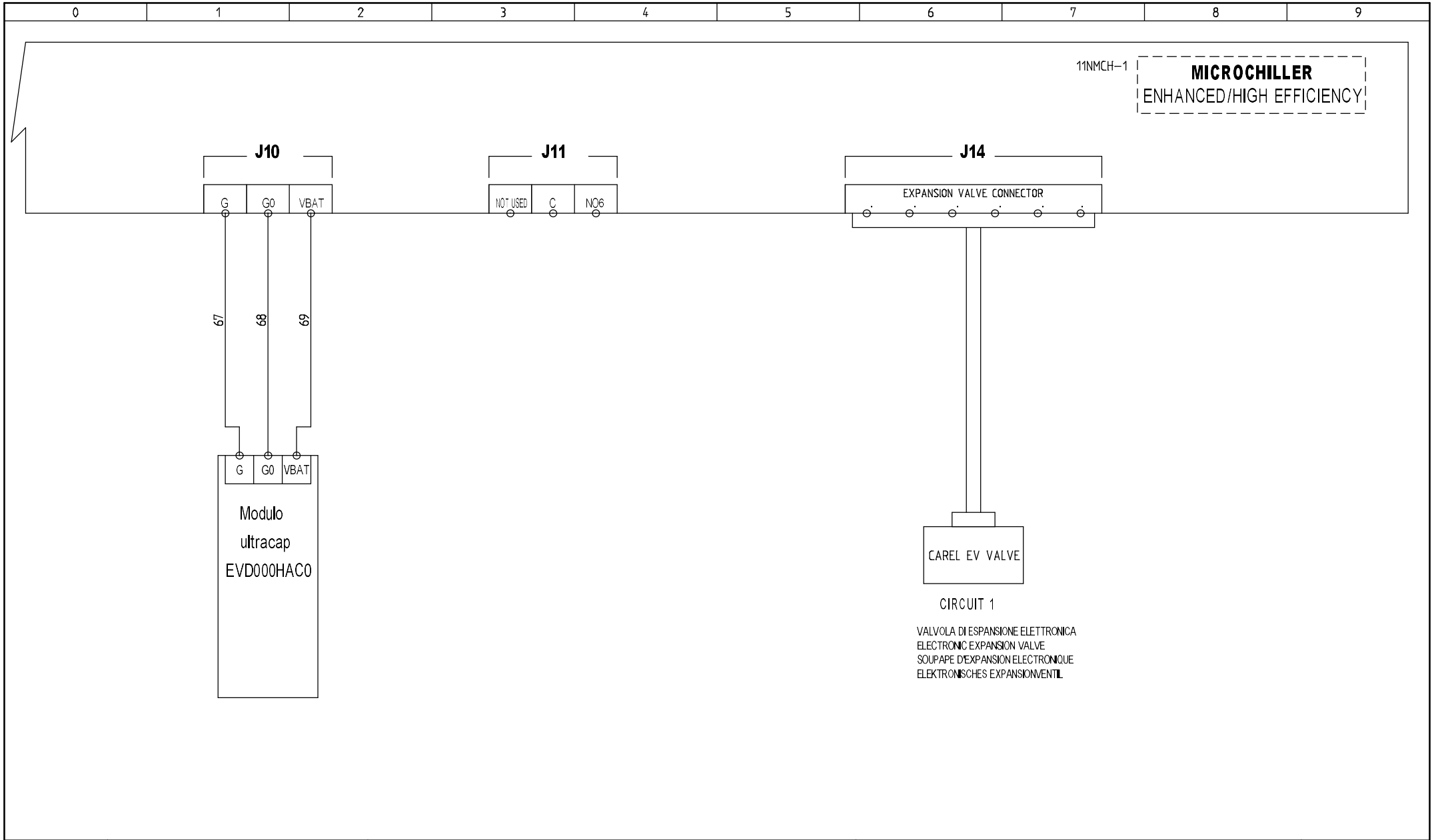
ALLARME GENERALE
GENERAL ALARM
ALARME GENERALE
ALLGEMEINER ALARM

REV A	Modification EMISSIONE
17/02/2025	Drafter MU Approved AV

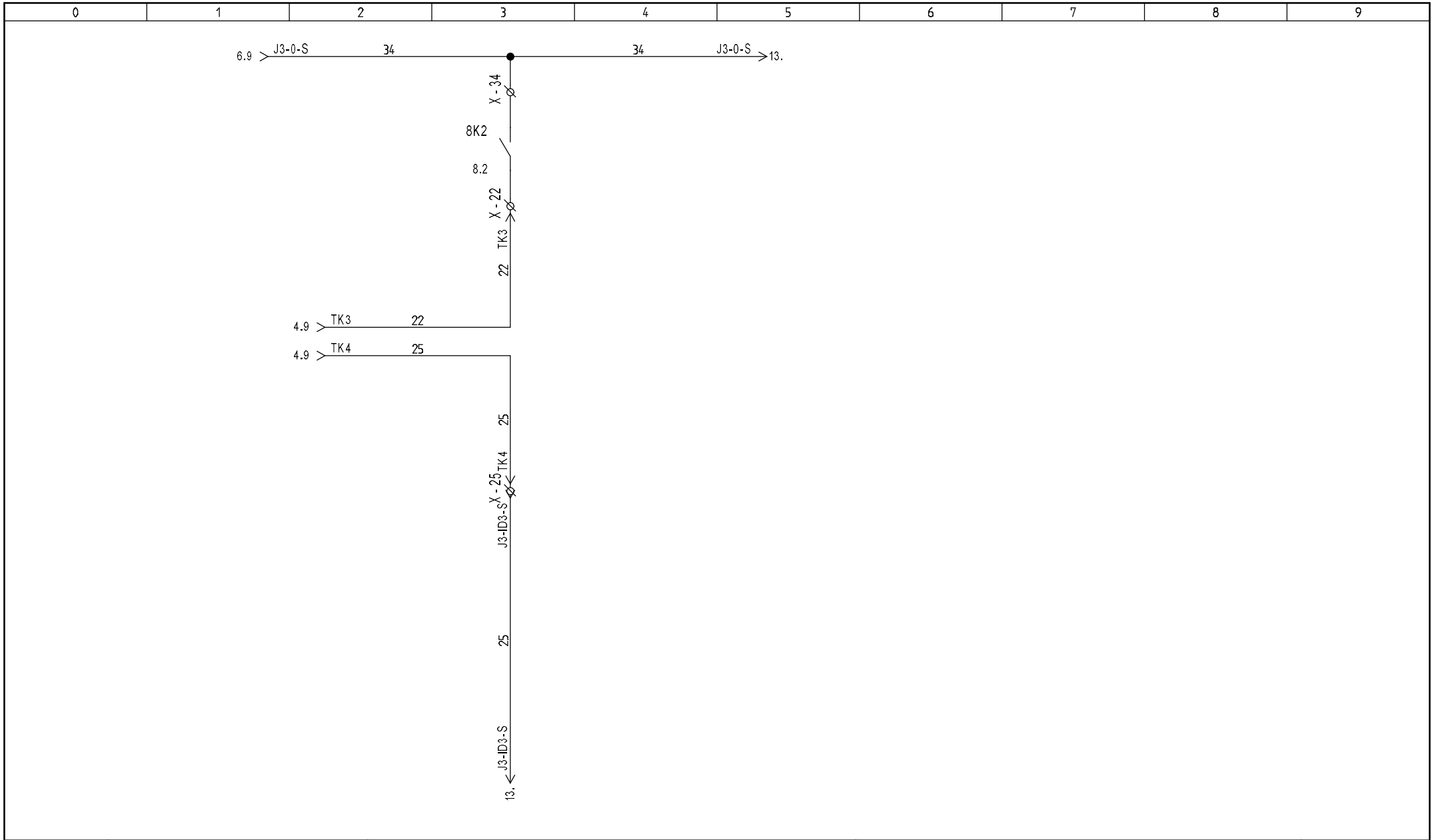
Model: EKE NewGen IS/ST/AS/EC/00 804
Drawing no.: 8E990057/001/A

This drawing is a property of Euroklimat S.p.A. and we reserve the copyright to all our designs which cannot be reproduced, transmitted, disclosed to third parties or utilized in any form without first obtaining our written consent. Contravention will be prosecuted. This drawing is subject to modification time to time to suit construction purpose.

File name: 8E990057-001-A
DRAFT.: MU DATE: 17/02/2025



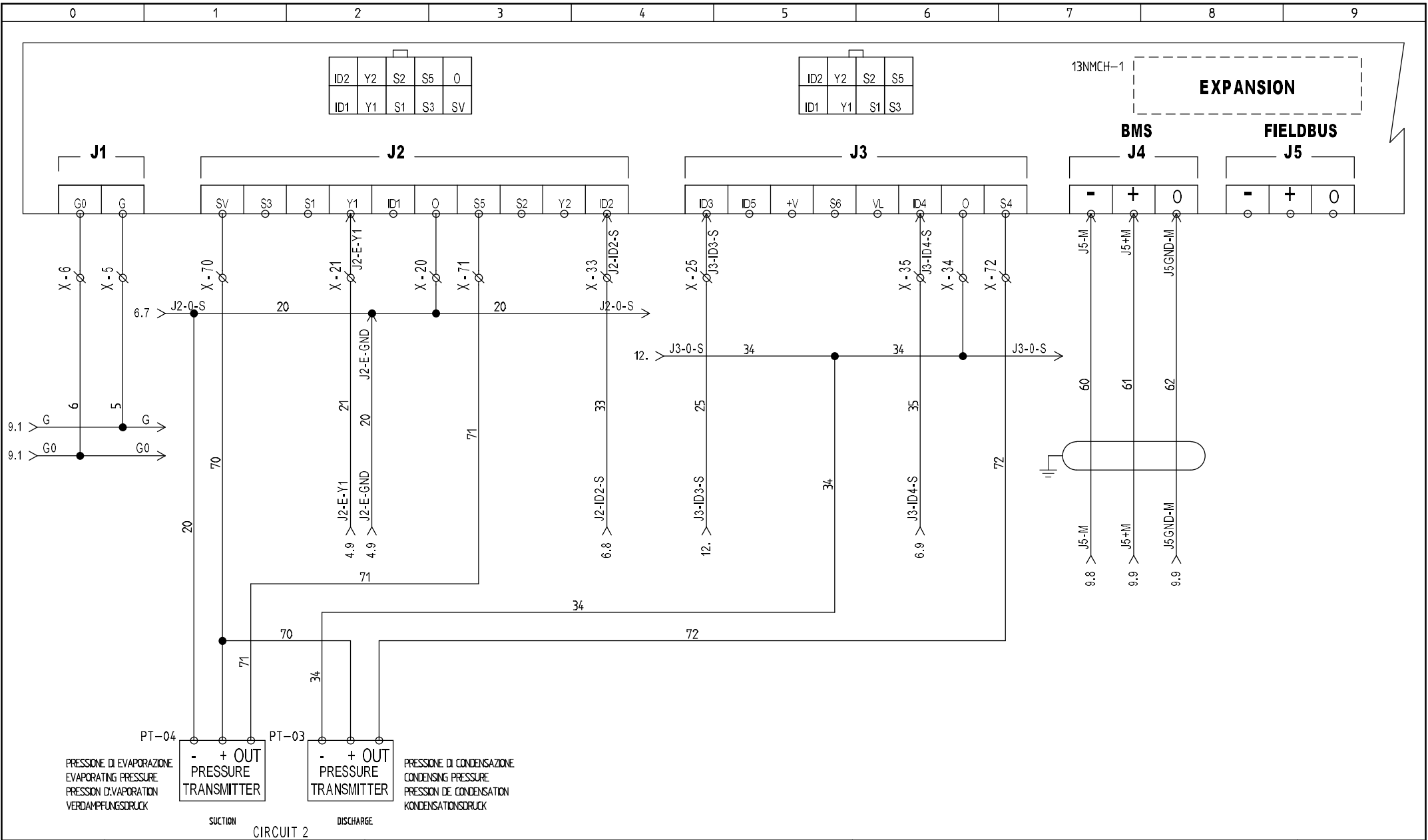
REV A	Modification EMISSIONE	Model: EKE NewGen IS/ST/AS/EC/00 804	This drawing is a property of Euroklimat S.p.A. and we reserve the copyright to all our designs which cannot be reproduced, transmitted, disclosed to third parties or utilized in any form without first obtaining our written consent. Contravention will be prosecuted. This drawing is subject to modification time to time to suit construction purpose.	SHEET 11
17/02/2025	Drafter MU	Approved AV		Drawing no.: 8E990057/001/A
		DRAFT.: MU	File name: 8E990057-001-A	10 ◀ ▶ 12
			DATE: 17/02/2025	



REV A	Modification EMISSIONE
17/02/2025	Drafter MU Approved AV

Model: EKE NewGen IS/ST/AS/EC/00 804
 Drawing no.: 8E990057/001/A

This drawing is a property of Euroklimat S.p.A. and we reserve the copyright to all our designs which cannot be reproduced, transmitted, disclosed to third parties or utilized in any form without first obtaining our written consent. Contravention will be prosecuted. This drawing is subject to modification time to time to suit construction purpose.	
File name:	8E990057-001-A
DRAFT.:	MU DATE: 17/02/2025

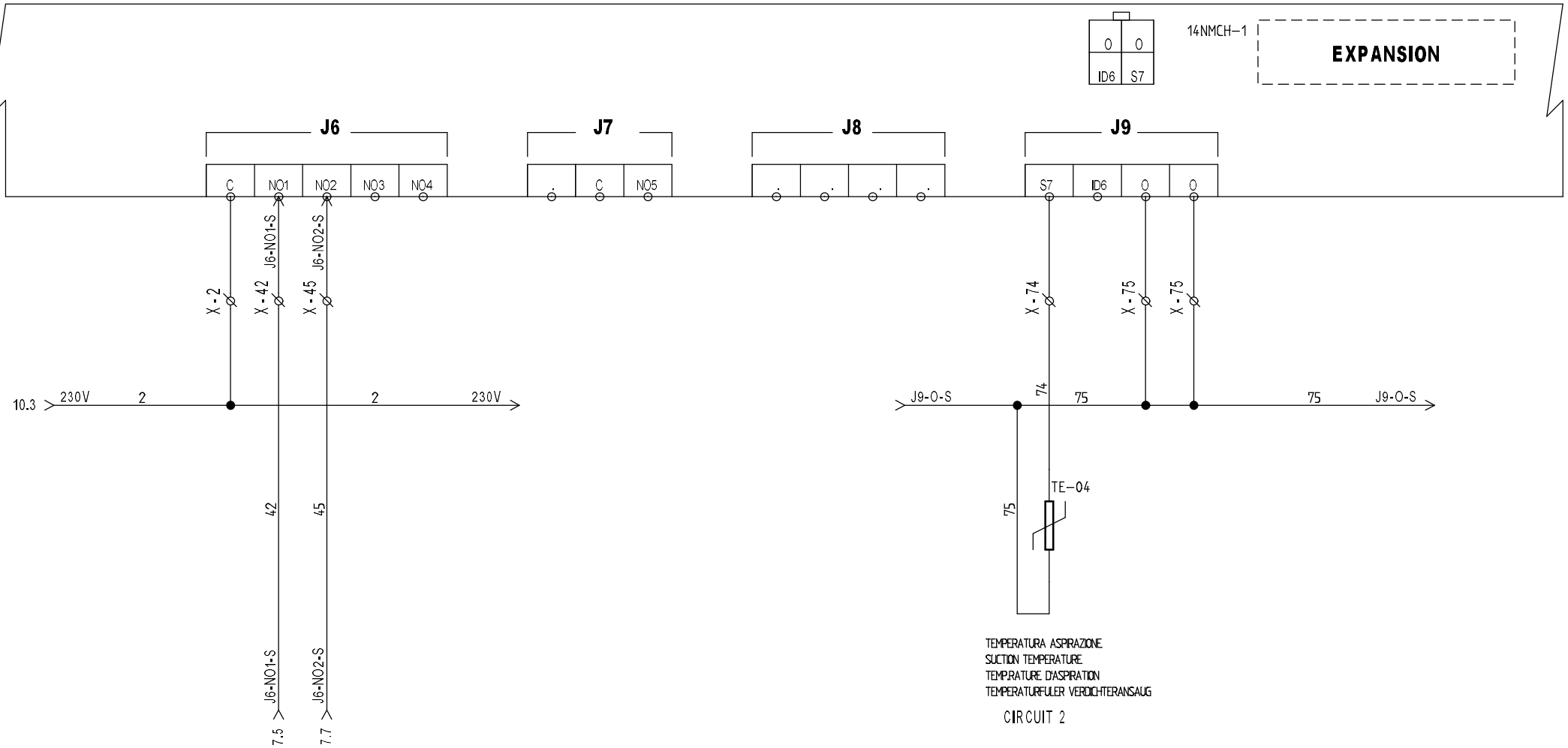


REV A	Modification EMISSIONE
17/02/2025	Drafter MU Approved AV

Model: EKE NewGen IS/ST/AS/EC/00 804
 Drawing no.: 8E990057/001/A

This drawing is a property of Euroklimat S.p.A. and we reserve the copyright to all our designs which cannot be reproduced, transmitted, disclosed to third parties or utilized in any form without first obtaining our written consent. Contravention will be prosecuted.
 This drawing is subject to modification time to time to suit construction purpose.

File name: 8E990057-001-A
 DRAFT.: MU DATE: 17/02/2025



REV A	Modification EMISSIONE
17/02/2025	Drafter MU Approved AV

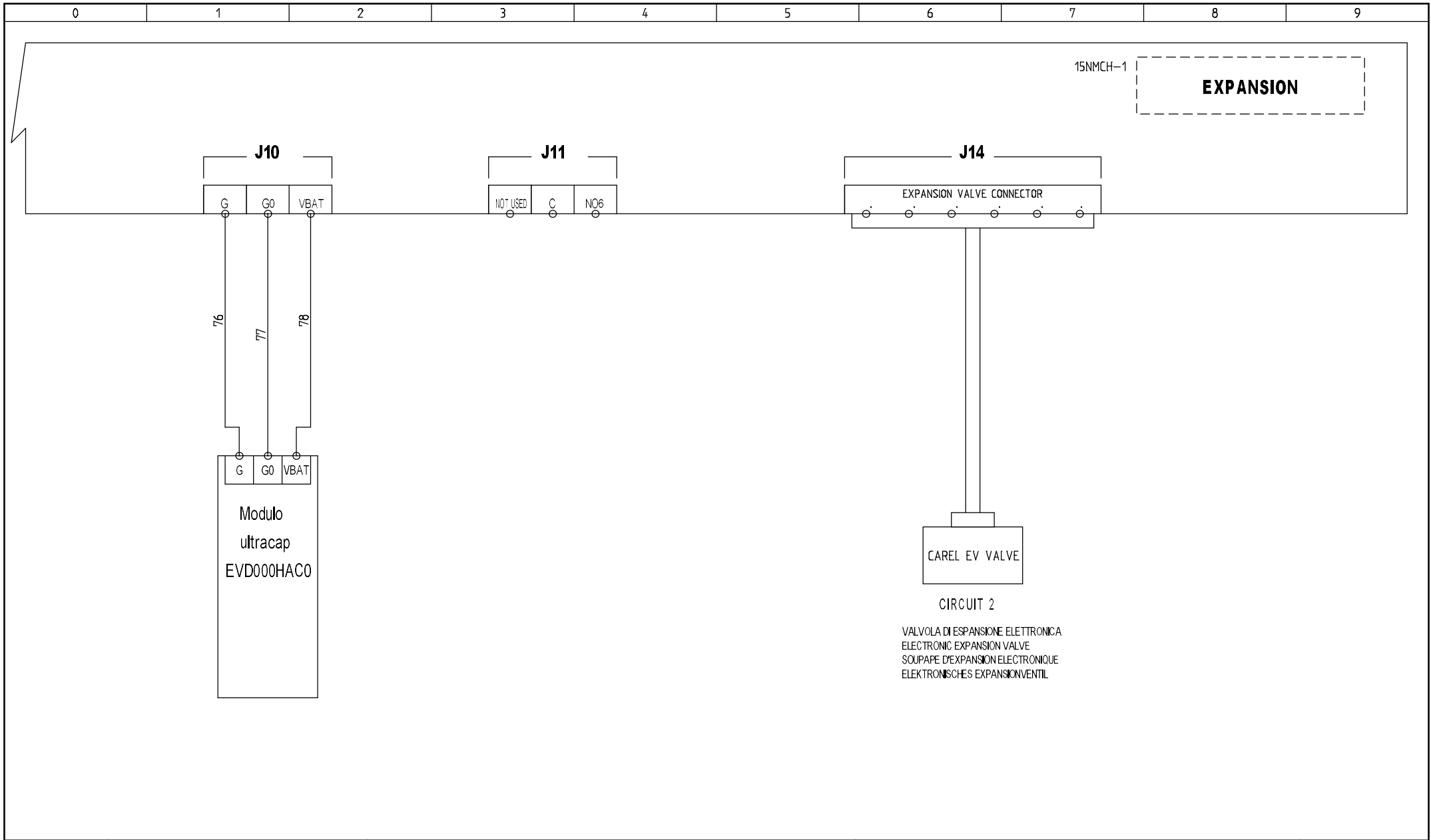
Model: EKE NewGen IS/ST/AS/EC/00 804

Drawing no.: 8E990057/001/A

This drawing is a property of Euroklimat S.p.A. and we reserve the copyright to all our designs which cannot be reproduced, transmitted, disclosed to third parties or utilized in any form without first obtaining our written consent. Contravention will be prosecuted.
 This drawing is subject to modification time to time to suit construction purpose.

File name: 8E990057-001-A

DRAFT.: MU DATE: 17/02/2025



REV A	Modification EMISSIONE	Model: EKE NewGen IS/ST/AS/EC/00 804	This drawing is a property of Euroklimat S.p.A. and we reserve the copyright to all our designs which cannot be reproduced, transmitted, disclosed to third parties or utilized in any form without first obtaining our written consent. Contravention will be prosecuted. This drawing is subject to modification time to time to suit construction purpose.	SHEET 15
17/02/2025	Drafter MU	Approved AV		Drawing no.: 8E990057/001/A
		DRAFT.: MU	File name: 8E990057-001-A	14 ◀▶
			DATE: 17/02/2025	

Morsettieria grafica

Morsettieria:
X

Descrizione	Tipo cavo	Nome cavo	Colonna	Foglio
			5	4
			7	0
			7	2
			7	4
			7	6
			10	1
			14	
			5	4
			7	0
			7	2
			7	4
			7	6
			5	5
			8	1
			8	2
			9	0
			13	
			5	4
			9	0
			13	
			6	0
			6	1
			6	1
			6	2
			3	1
			3	1
			3	4
			8	8
			9	3
			3	1
			3	4
			9	2
			3	1
			8	4
			3	1
			3	4
			3	4
			3	4
			3	4
			8	4
			9	4
			4	1
			4	1
			4	4
			4	4
			13	
			4	4

Destinazione	Mors.	N°	N° Filo	Origine
	⊖	2	2	5F3:2
	○		2	5TRS1:COM
7PIE1:1/L	⊖	2		
7PIE2:1/L	⊖	2		
7PIE3:1/L	⊖	2		
7PIE4:1/L	⊖	2		
	⊖	2	2	10NMCH-1:C
	⊖	2	2	14NMCH-1:C
	⊖	3	3	5M1:N
	○	3	3	5TR1:4
	⊖	3	3	7PIE1:1.2/N
7K1:A2	○	3		
7K1:A2	○	3		
7K2:A2	○	3	3	7PIE2:1.2/N
7K2:A2	○	3		
7K3:A2	○	3	3	7PIE3:1.2/N
7K3:A2	○	3		
7K4:A2	○	3	3	7PIE4:1.2/N
7K4:A2	○	3		
	⊖	5	5	5CF1:14
PSH-01:COM	⊖	5		
PSH-02:COM	⊖	5		
	⊖	5	5	9NMCH-1:G
	⊖	5	5	13NMCH-1:G
8K1:A2	○	6	6	5TR1:5
8K2:A2	⊖	6	6	9NMCH-1:G0
	⊖	6	6	13NMCH-1:G0
5TR1:7	⊖	10	10	RH-01A:2
	⊖	10	10	RH-02A:2
	⊖	10	10	RH-01B:2
	⊖	10	10	RH-02B:2
FC-01:24V	⊖	12		
FC-01:D1	⊖	12		
FC-01:GND	⊖	13		
FC-02:GND	⊖	13	13	TE-01:2
PDL5-01:NA	○	13	13	1F2:1
	○	13	13	PT-02:BIANCO/WHITE
TE-02:2	⊖	13	13	9NMCH-1:0
FC-01:E1	⊖	14		
FC-02:E1	⊖	14		
FC-01:14	⊖	14	14	9NMCH-1:Y1
	⊖	15	15	8K1:2
FC-01:11	⊖	16		
FC-02:14	⊖	16		
FC-02:24V	⊖	17		
FC-02:D1	⊖	17		
FC-02:11	⊖	18		
	⊖	18		
	⊖	18	18	9NMCH-1:ID3
FC-03:24V	⊖	19		
FC-03:D1	⊖	19		
FC-03:GND	⊖	20		
FC-04:GND	⊖	20	20	PT-04:BIANCO/WHITE
	⊖	20	20	13NMCH-1:0
FC-03:E1	⊖	21		
FC-04:E1	⊖	21		

Descrizione	Tipo cavo	Nome cavo	----- Cavo -----	
REVISIONE	MODIFICA		PROGETTO: 8E990057-001-A	FOGLIO 2
			COMMESSA: EKE NewGen IS/ST/AS/EC/OO 804	DI 4
			CLIENTE:	
DATA	FIRMA		TITOLO: X	1 <> 3
			DIS.: MU	DATA: 17/02/2025

